

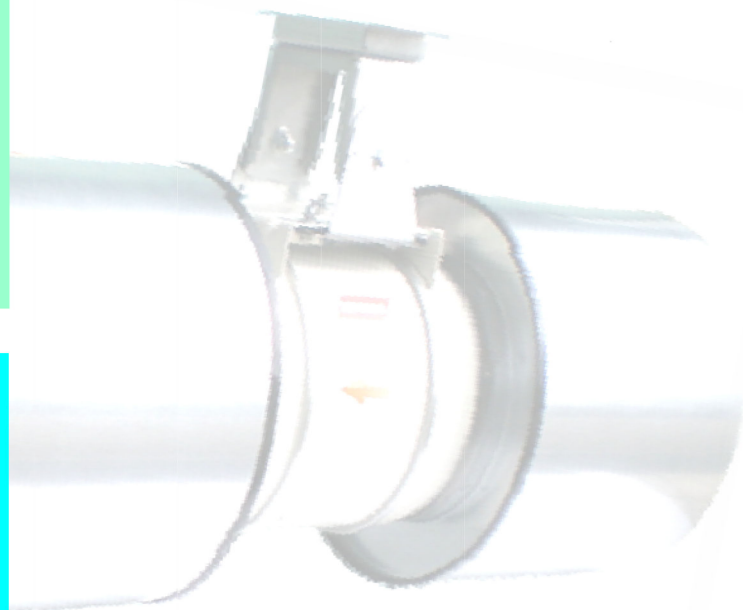
Fan

- Incorporate a powerful motor which is factory matched to a mixed flow impeller.
- Model 200 is manufactured in tough reinforced plastic, while models 250-400 in steel casing. Nozzle is Manufactured in aluminum. All models are finished in tough epoxy-polyester paint coating.
- Impeller blades of model 200 is moulded in tough ABS plastic, models 250-400 are constructed from pressed galvanized sheet steel.
- Fitted with direct connection motors with thermal overload protection. All motors are suitable for speed control regulation using electronic or auto-transformer.
- Max. operating temperature +40 °C.



Silencer

- Outer casing made of galvanized steel sheet and inner casing made of galvanized steel perforated sheet.
- Glass fiber as absorption filler material to achieve excellent acoustic performance.
- Each model is available with 1.5D silencer as standard length. Non-standard length to meet special performance requirement can be supplied upon request.

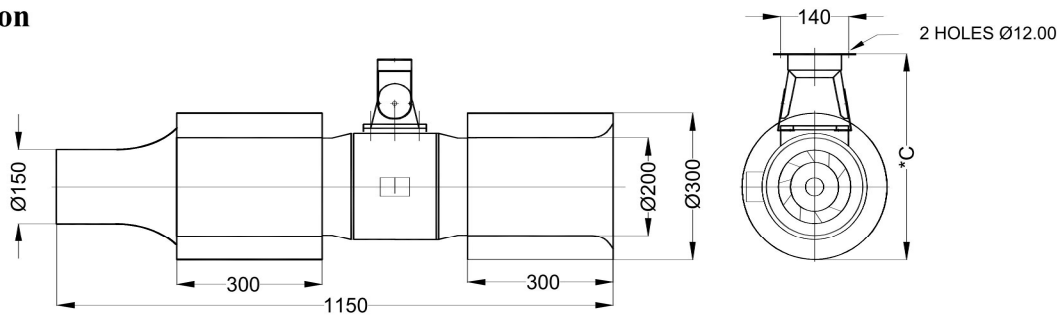


Specification



Power Supply (V/Ph/Hz)	230~240/1/50	230~240/1/60
Flow Rate (m ³ /h)	800	820
Outlet Velocity (m/s)	12.6	12.9
Fan Speed (rpm)	2500	2650
Power (W)	115	170
Max Amp	0.55	0.68
Sound level dB(A)	50 @1m (Free Field,45°)	49 @1m (Free Field,45°)

Dimension



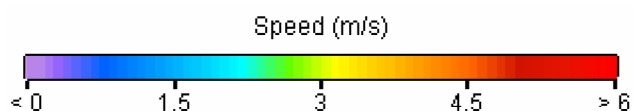
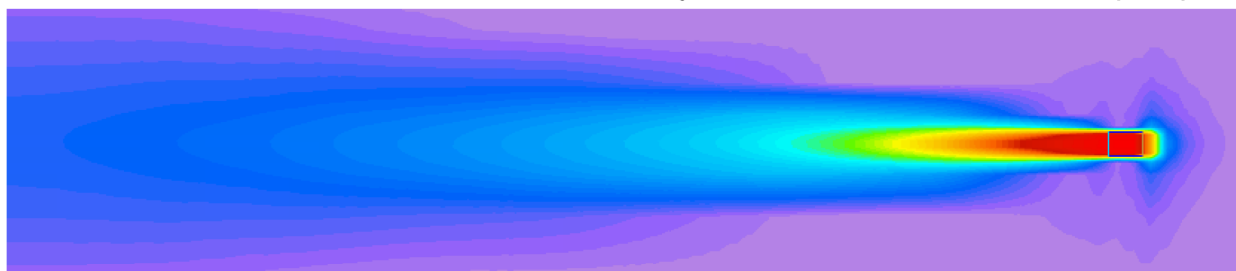
*C Subject to customer requirement.

Velocity profile (Single Fan)*

Distance (m)	1	2	3	4	5	6	7	8	9	10	11	12	13	14	15
Flow width (m)	0.43	0.85	1.28	1.70	2.13	2.55	2.98	3.40	3.83	4.25	4.68	5.10	5.53	5.95	6.38
Velocity (m/s)	8.90	5.02	3.50	2.68	2.18	1.83	1.58	1.39	1.24	1.12	1.02	0.94	0.87	0.81	0.75

Distance (m)	16	17	18	19	20	21	22	23	24	25	26	27	28	29	30
Flow width (m)	6.80	7.23	7.65	8.08	8.50	8.93	9.35	9.78	10.2	10.63	11.05	11.48	11.9	12.33	12.75
Velocity (m/s)	0.71	0.67	0.63	0.60	0.57	0.54	0.52	0.49	0.47	0.46	0.44	0.42	0.41	0.39	0.38

* Max velocity values measured from free flow at open space.



IJM 250 / 2 - N

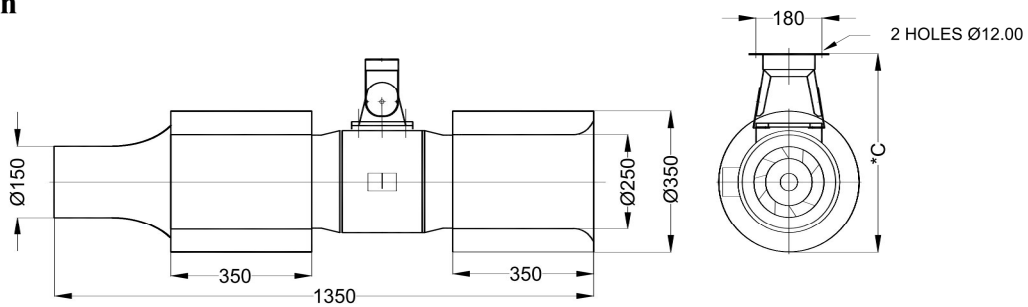


Specification



Power Supply (V/Ph/Hz)	230~240/1/50	230~240/1/60
Flow Rate (m ³ /h)	1105	1130
Outlet Velocity (m/s)	17.4	17.7
Fan Speed (rpm)	2420	2400
Power (W)	192	257
Max Amp	0.72	1.00
Sound level dB(A)	52 @1m (Free Field, 45°)	52 @1m (Free Field,45°)

Dimension

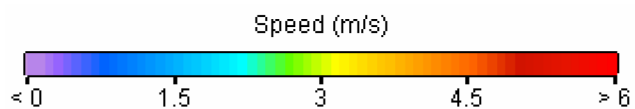
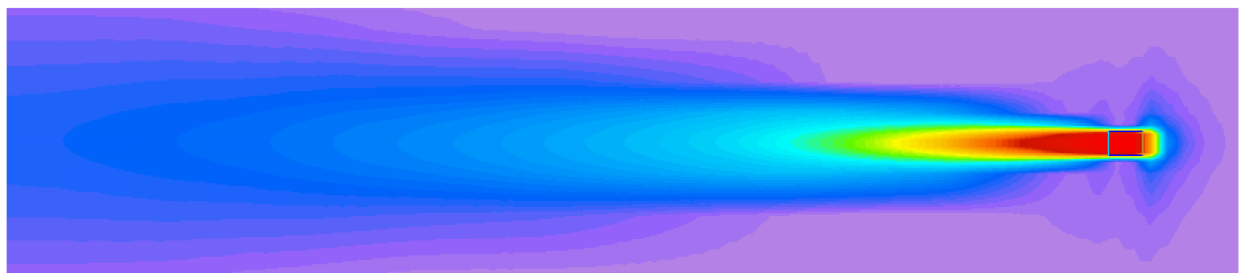


*C Subject to customer requirement.

Velocity Profile (Single Fan)

Distance (m)	1	2	3	4	5	6	7	8	9	10	11	12	13
Flow width (m)	0.43	0.85	1.28	1.70	2.13	2.55	2.98	3.40	3.83	4.25	4.68	5.10	5.53
Velocity (m/s)	11.32	6.94	4.83	3.71	3.01	2.53	2.18	1.92	1.71	1.55	1.41	1.30	1.20

Distance (m)	14	15	16	17	18	19	20	21	22	23	24	25	26
Flow width (m)	5.95	6.38	6.80	7.23	7.65	8.08	8.50	8.93	9.35	9.78	10.20	10.63	11.05
Velocity (m/s)	1.11	1.04	0.98	0.92	0.87	0.83	0.78	0.75	0.71	0.68	0.66	0.63	0.61

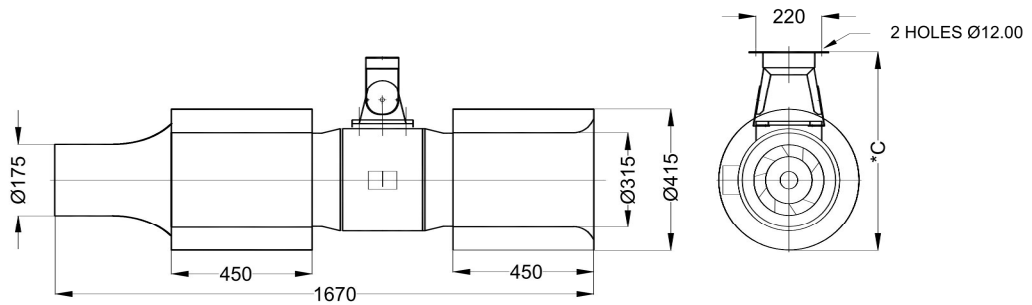


Specification



Power Supply (V/Ph/Hz)	230~240/1/50	230~240/1/60
Flow Rate (m ³ /h)	1450	1530
Outlet Velocity (m/s)	16.8	17.7
Fan Speed (rpm)	2350	2300
Power (W)	283	352
Max Amp	1.30	1.50
Sound level dB(A)	54 @1m (Free Field, 45°)	55 @1m (Free Field, 45°)

Dimension

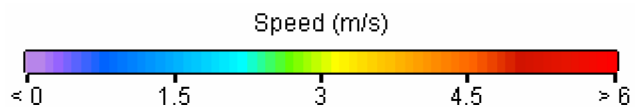
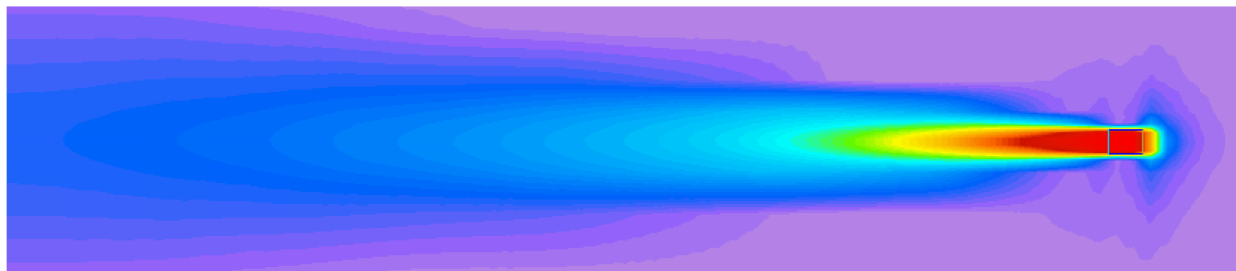


*C Subject to customer requirement.

Velocity Profile (Single Fan)

Distance (m)	1	2	3	4	5	6	7	8	9	10	11	12	13
Flow width (m)	0.43	0.85	1.28	1.70	2.13	2.55	2.98	3.40	3.83	4.25	4.68	5.10	5.53
Velocity (m/s)	12.16	7.93	5.55	4.27	3.47	2.92	2.52	2.22	1.98	1.79	1.63	1.50	1.39

Distance (m)	14	15	16	17	18	19	20	21	22	23	24	25	26
Flow width (m)	5.95	6.38	6.80	7.23	7.65	8.08	8.50	8.93	9.35	9.78	10.20	10.63	11.05
Velocity (m/s)	1.29	1.21	1.13	1.07	1.01	0.96	0.91	0.87	0.83	0.79	0.76	0.73	0.70

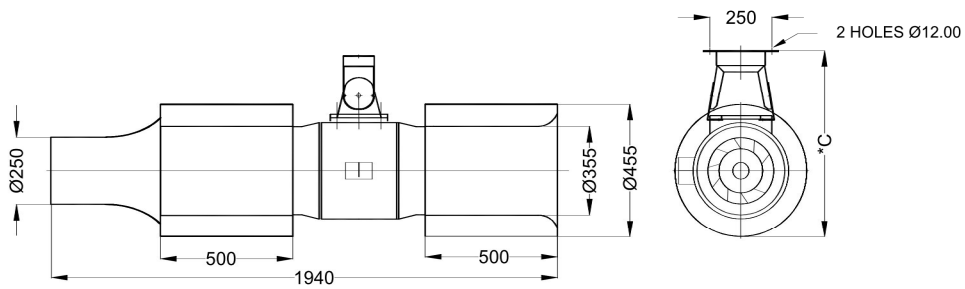


Specification



Power Supply (V/Ph/Hz)	230~240/1/50	230~240/1/60
Flow Rate (m ³ /h)	2940	3240
Outlet Velocity (m/s)	16.6	18.3
Fan Speed (rpm)	1400	1500
Power (W)	345	483
Max Amp	1.55	2.30
Sound level dB(A)	50 @1m (Free Field,45°)	50 @1m (Free Field,45°)

Dimension

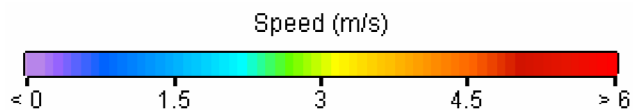
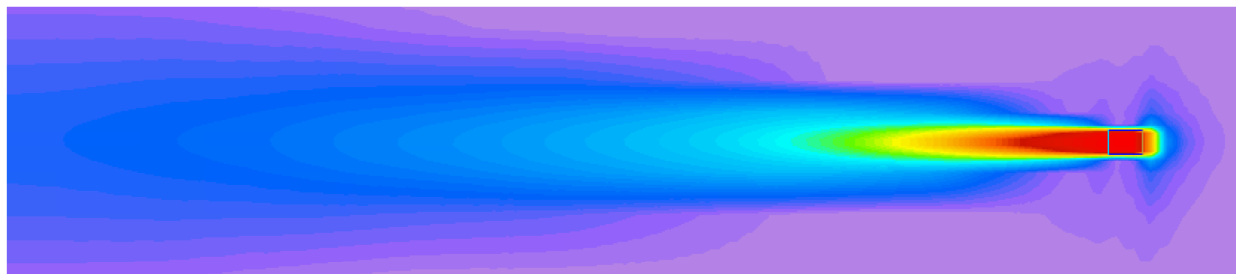


*C Subject to customer requirement.

Velocity Profile

Distance (m)	1	2	3	4	5	6	7	8	9	10	11	12	13
Flow width (m)	0.43	0.85	1.28	1.70	2.13	2.55	2.98	3.40	3.83	4.25	4.68	5.10	5.53
Velocity (m/s)	14.64	10.61	7.56	5.87	4.80	4.06	3.51	3.10	2.77	2.51	2.29	2.11	1.95

Distance (m)	14	15	16	17	18	19	20	21	22	23	24	25	26
Flow width (m)	5.95	6.38	6.80	7.23	7.65	8.08	8.50	8.93	9.35	9.78	10.20	10.63	11.05
Velocity (m/s)	1.81	1.70	1.59	1.50	1.42	1.35	1.28	1.22	1.17	1.12	1.07	1.03	0.99

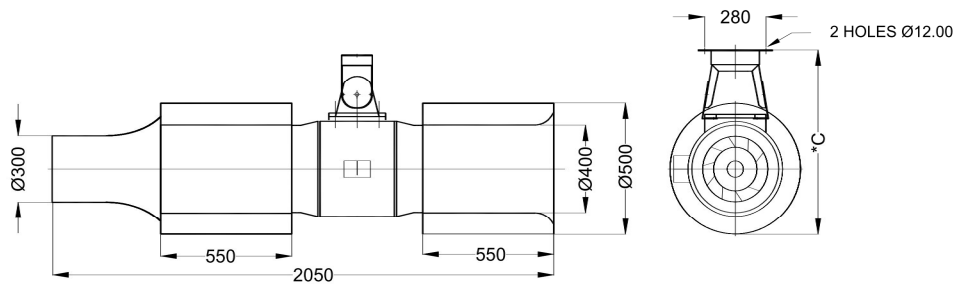


Specification



Power Supply (V/Ph/Hz)	230~240/1/50	230~240/1/60
Flow Rate (m ³ /h)	4050	4455
Outlet Velocity (m/s)	15.9	17.5
Fan Speed (rpm)	1400	1500
Power (W)	665	931
Max Amp	2.50	3.50
Sound level dB(A)	54 @1m (Free Field,45°)	54 @1m (Free Field,45°)

Dimension



*C Subject to customer requirement.

Velocity Profile (Single Fan)

Distance (m)	1	2	3	4	5	6	7	8	9	10	11	12	13
Flow width (m)	0.43	0.85	1.28	1.70	2.13	2.55	2.98	3.40	3.83	4.25	4.68	5.10	5.53
Velocity (m/s)	14.40	11.72	8.44	6.60	5.41	4.59	3.98	3.52	3.15	2.85	2.61	2.40	2.22

Distance (m)	14	15	16	17	18	19	20	21	22	23	24	25	26
Flow width (m)	5.95	6.38	6.80	7.23	7.65	8.08	8.50	8.93	9.35	9.78	10.20	10.63	11.05
Velocity (m/s)	2.07	1.94	1.82	1.72	1.62	1.54	1.47	1.40	1.34	1.28	1.23	1.18	1.13

