



TDA-V Series

DIRECT DRIVE VANE AXIAL FAN



Feature

For commercial and industrial applications where large volume of air is required at moderate to high pressure. Specially designed integral straightening vanes reduce turbulence and provide high performance and low sound level.

Construction

Double flanged casing is produced in mild steel or galvanized steel. The impeller having manually adjustable pitch blades is made of PPG, PAG or Aluminium.

Finish

Painting or galvanized after manufacture is normal finish on all parts.

Operating Temperature

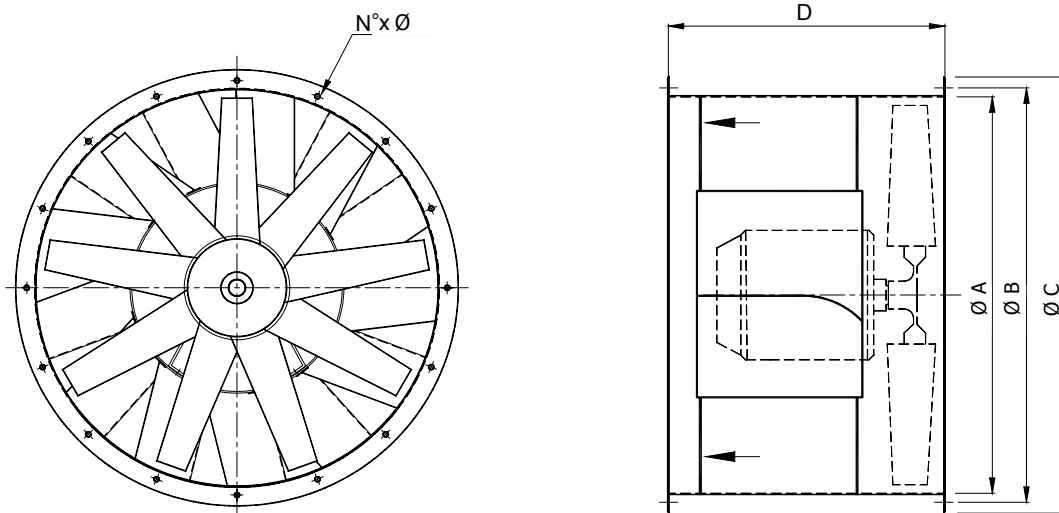
-20°C to +55°C

Motors

Totally Enclosed Class 'F', with a min. IP54 protection are fitted as standard. Standard motors up to 2.2kW are usually supplied with DOL starting. Motors 3.0kW and above are star/delta starting. Motors of other specification are available upon request.

Airflow Direction

Air flow from impeller to motor is standard. Air flow from motor to impeller can be supplied upon request.



All Dimension in mm.

MODEL	A	B	C	D	N°	Ø	Weight (kg)	Max. Motor* Frame Size
315	315	355	395	355	8	10	12.7	D71
355	355	395	435	355	8	10	13.5	D80
400	400	440	480	355	12	10	17.0	D90S
450	450	490	530	400	12	10	21.5	D90L
500	500	540	580	500	12	10	25.9	D90L
560	560	605	660	500	12	10	32.5	D112M
630	630	675	730	500	12	10	34.7	D112M
710	710	755	810	500	18	12	64.5	D112M
800	800	845	900	560	18	12	70.5	D132M

MODEL	A	B	C	D	N°	Ø	Weight (kg)	Max. Motor* Frame Size
900	900	945	1000	630	18	12	99.0	D160M
1000	1000	1050	1100	630	24	12	112.3	D160M
1120	1120	1185	1250	900	24	12	193.7	D225M
1250	1250	1315	1380	1000	24	12	282.5	D250M
1400	1400	1465	1530	1120	32	14	339.5	D250M
1600	1600	1663	1730	1250	32	14	491.0	D250M
1800	1800	1856	1930	1400	32	14	650.0	D280M
2000	2000	2073	2130	1400	32	14	720.0	D315M

* Motor frame size beyond this range, please consult KRUGER for details --- Weight without motor and impeller.

The company is always improving and developing its products, therefore the company reserves the right of making changes to the illustrated products. Certified dimension can be provided upon request.