

# Panasonic



---

## *Ventilating Fans & Air Moving Equipments*

---



Better Ventilation Better Living

ระบบระบายอากาศดีอยู่สบาย

# Contents

What's new in Panasonic Ventilating Fan?	▶	1
Ceiling Mount Type Ventilating Fan	▶	2
Wall Mount Type Ventilating Fan	▶	13
Wall Mount Type Entry Bath Fan	▶	15
Wall Mount Type Kitchen Fan	▶	17
Wall Mount Type Ventilating Fan	▶	18
Window Mount Type Ventilating Fan	▶	20
Industrial Type Ventilating Fan	▶	23
Hand Dryer	▶	26
Air Curtain	▶	27
Air Moving Equipment	▶	28
Mini Sirocco	▶	30
Compact Axial	▶	32
Low Noise Type Cabinet Fan	▶	33
Centrifugal Fan Forward Curve Single Inlet	▶	34
Centrifugal Fan Forward Curve Double Inlet	▶	35
Centrifugal Fan Backward Curve Single Inlet	▶	36
Centrifugal Fan Backward Curve Double Inlet	▶	37
Centrifugal Fan Backward Curve Overhung Type	▶	38
Adjustable Pitch Axial Flow Fan	▶	39
Fine Factory Fan	▶	42

# What's new in Panasonic Ventilating Fan?



- 1 Super long time
- 2 Super safety
- 3 Super quiet

## 1 Super long time

- **Ball bearing Motor**

Life time of motor is twice longer than old motor.  
Lubricated ball bearing reduce friction on its surface

- **Tough body**

Tough steel casing with resist rust coating.



## 2 Super safety

- **Thermal fuse**

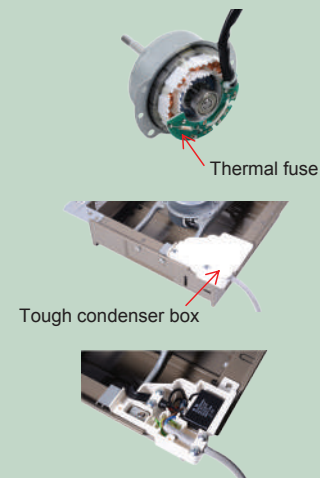
Safety function to stop motor operation when motor temperature irregularly rise up.

- **Tough condenser box**

Fire proof material for safety.

- **Safety Lead wiring**

Locking lead wire to prevent short circuit.



## 3 Super quiet

- **Newly designed fan blade**

Smoother air flow by optimizing the blade shape design and reduce acoustic noise.



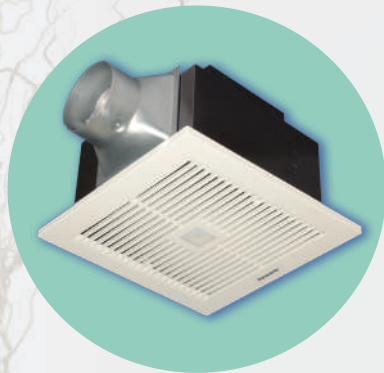
# Ceiling Mount Type

## Ventilating Fan



### Super Quiet Series

4-11



### DC Motor Series

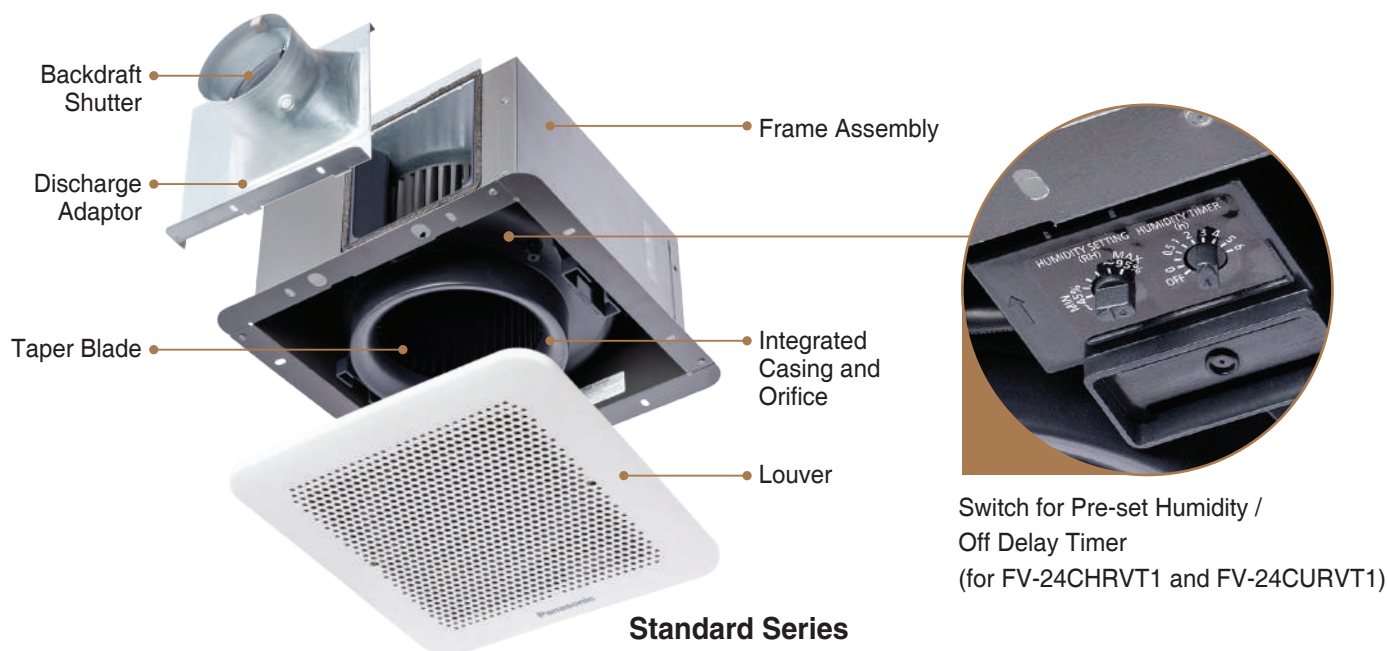
12



# Ceiling Mount Type

# Ventilating Fans

Achieve reduction of power consumption and noise by the optimized product structure



## Long Life

- The unique design of HP(Half Pitch) motor, incorporates with well lubricated ball bearings, temperature rise is reduced that prolongs motor lifetime and product durability
- Frame assembly made of ZAM alloy coated steel enhances rust protection
- Louver adopts PP material that is comparatively higher chemical resistant and weatherability than ABS material of previous model



## Highly Efficient

- Taper blade design effectively controls the turbulence surrounding the blade. Strong and smooth ventilation performance is achieved while noise level is reduced, by whole of the blade
- Curve-shaped backdraft shutter results in further improvement of air tightness and strength



## Super Low Noise

- The integrated casing and orifice minimizes the transmission of noise from the fan and motor to exterior. This technology further reduces the operation noise to incredibly low level by "Resonance-Noise-Absorption" operation, which creates a tranquility and silent environment for your life



## Easy Installation

- Cassette type discharge adaptor facilitating installation of the product, as well as duct connecting work
- Spring-clip louver allows convenient installation and removal of louver

# Ceiling Mount Type

# Ventilating Fan



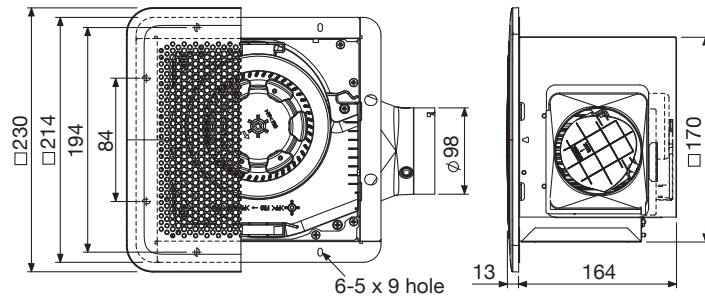
## FV-17CUT5 / FV-17CHT5

### Super Quiet Series

- Condenser motor with thermal cut-off
- Well lubricated bearing for long life operation
- Pre-installed power cord
- Resonance-Noise-Absorption Structure
- High performance taper blade designed sirocco fan

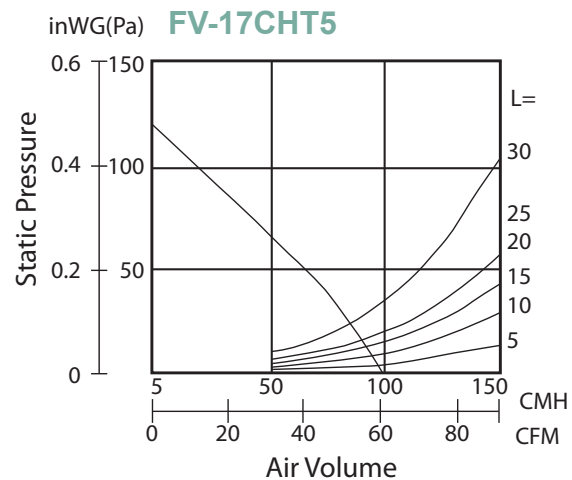
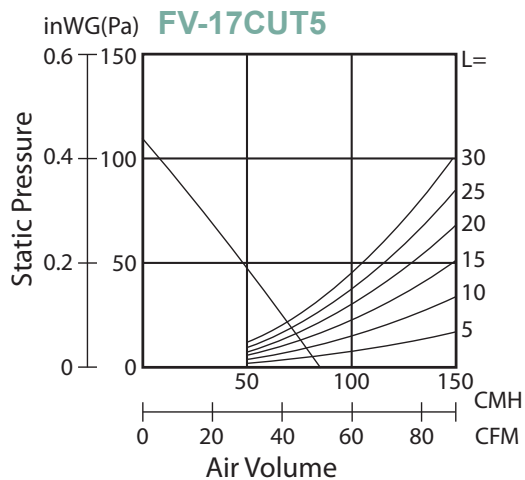
### Dimension

Unit : mm



### Performance Data

(220V 50Hz)



### Specification

Model	Air Volume		Input (W)	Speed (rpm)	Noise (dB(A))	Weight (Kg.)	Blade (Ø) (mm.)	Installation Space W x L (mm.)
	CMH	CFM						
FV-17CUT5	85	50	7.5	680	23	1.7	105	177 x 177
FV-17CHT5	100	60	9.5	770	27.5			

Note: The value in Specification tables are representative characteristic value at 220V, 50Hz.  
R.P.M. data is for reference only, values may vary subject to different conditions.  
The noise level is measured at 1 meter from fan.

# Ceiling Mount Type

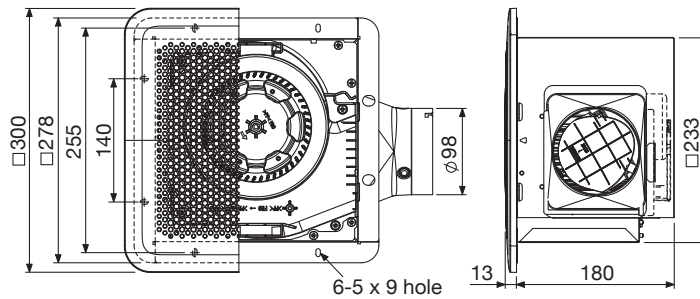
# Ventilating Fan



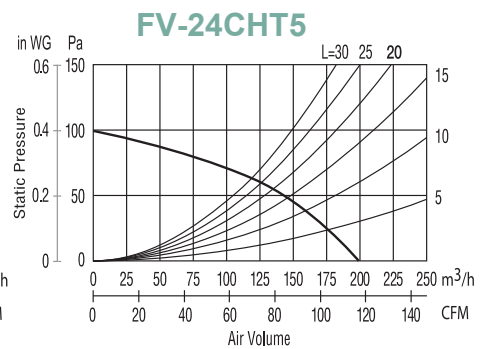
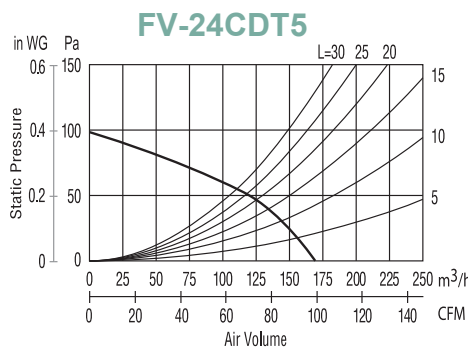
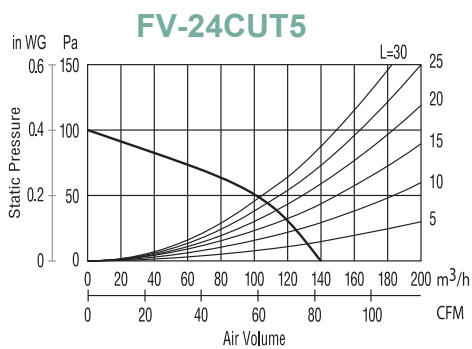
## FV-24CUT5 / FV-24CDT5 / FV-24CHT5 Super Quiet Series

- Condenser motor with thermal cut-off
- Well lubricated bearing for long life operation
- Pre-installed power cord
- Resonance-Noise-Absorption Structure
- High performance taper blade designed sirocco fan

### Dimension Unit : mm



### Performance Data (220V 50Hz)



### Specification

Model	Air Volume		Input (W)	Speed (rpm)	Noise (dB(A))	Weight (Kg.)	Blade (Ø) (mm.)	Installation Space W x L (mm.)
	CMH	CFM						
FV-24CUT5	140	82	10.5	530	25	2.7	151	240 x 240
FV-24CDT5	170	100	13.5	635	28.5	2.7		
FV-24CHT5	200	118	16.5	720	32	2.7		

Note: The value in Specification tables are representative characteristic value at 220V, 50Hz.  
R.P.M. data is for reference only, values may vary subject to different conditions.  
The noise level is measured at 1 meter from fan.

# Ceiling Mount Type

# Ventilating Fan

## Motion Sensor

(for FV-24CURVT1, FV-24CURT1, FV-24CHRVT1 and FV-24CHRT1)

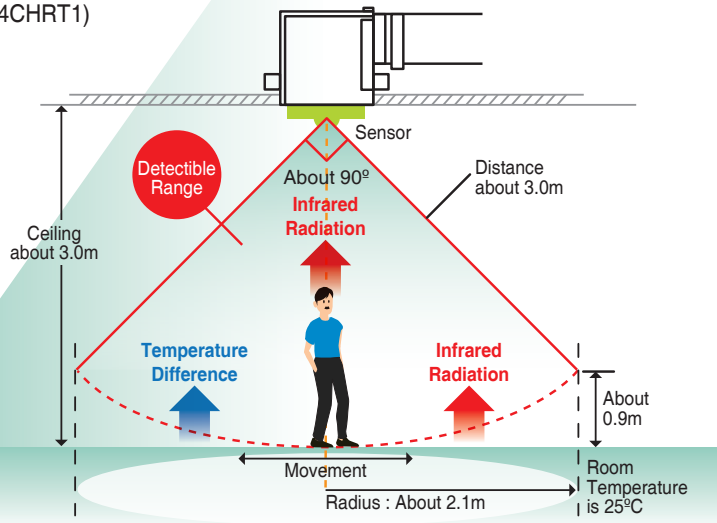
You may forget to switch off the fan after using the toilet/bathroom, then you have to walk back for switching off the fan afterwards.

Ventilating fan with motion sensor can be switched on automatically when you enter the room and switched off itself again after you leave.

Note:

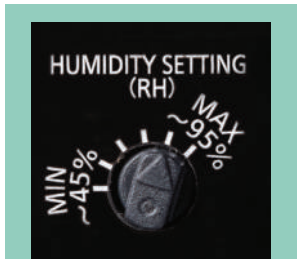
It may be difficult to sense in the following cases

- When there is almost no human movement
- When the room temperature is close to the body temperature
- There is an obstacle such as a shelf near the product



## Humidity Sensor

(for FV-24CURVT1 and FV-24CHRVT1)



Humidity Level Setting : 45% - 95% (6 interval)

High level of humidity is often the result of vapor and steam generated by bathing that leads to discomfort and dampness problems in the house.

Ventilating fan with humidity sensor can help remove excess moisture from the room. The fan will

be switched on when room humidity rises to the pre-set level and vice versa.

Also, during humid seasons, the fan will be activated as the room humidity reaches the pre-set level for ventilation effect. (Default Setting : 85%)

## Off Delay Timer

(for FV-24CURVT1 and FV-24CHRVT1)



Off Delay Timer Setting for Humidity Sensing

Sensor ventilating fans are equipped with Off Delay Timer which allow the fans to exhaust residual moisture and smell for pre-set duration after you leave the room. As motion is not detected or the room humidity is lower than the pre-set level, the fan continues the operation until pre-set time elapse.

Pre-set Delay Duration

Motion Sensing : 15 minutes (default)

Humidity Sensing : OFF / 0.25 / 0.5 / 1 / 2 / 3 / 4 / 5 / 6 hours

(Default Setting : 1 hour)

Motion Sensing					
	Unoccupied	Motion Sensed	Occupied	Unoccupied Elapse Time 15min.	Unoccupied
Humidity Sensing	Pre-set Humidity Level	Room Humidity			
Room Humidity	< Pre-set Level	>= Pre-set Level	>= Pre-set Level	< Pre-set Level Elapse Time 0.25 - 6 hours	< Pre-set Level
Operation	Stop	Sensor Activated	Operation	Delay Timer Operation	Stop



# Ceiling Mount Type

# Ventilating Fan

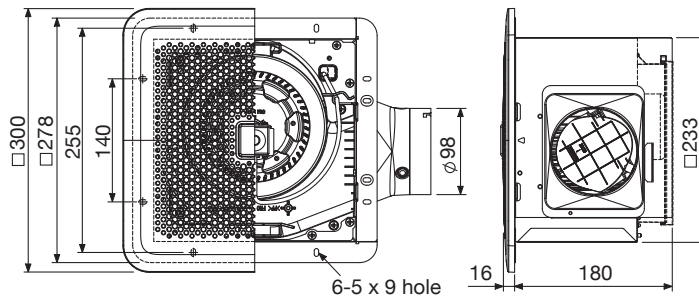


## FV-24CURT1 / FV-24CHRT1 Super Quiet Series

- Auto operation by motion sensor
- Off delay timer (15 minutes)
- HP (half pitch) motor with ball bearing
- Taper blade sirocco fan
- Curve-shaped backdraft shutter
- Super low noise level

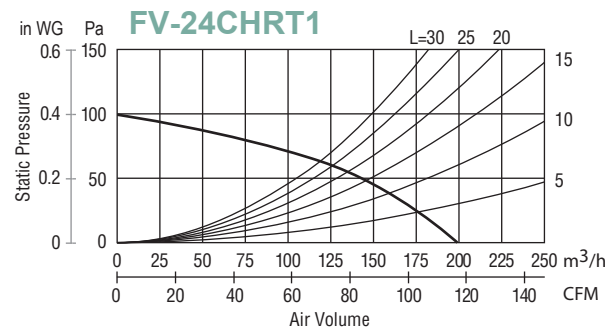
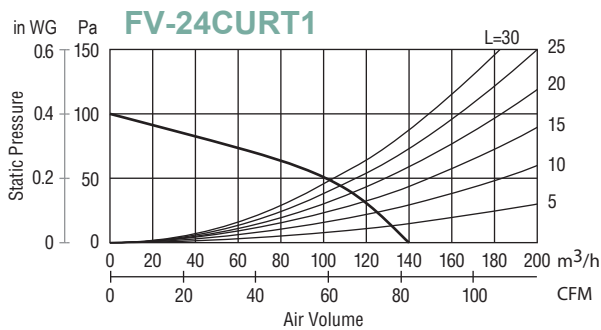
### Dimension

Unit : mm



### Performance Data

(220V 50Hz)



### Specification

Model	Air Volume		Input (W)	Speed (rpm)	Noise (dB(A))	Weight (Kg.)	Blade (Ø) (mm.)	Installation Space W x L (mm.)
	CMH	CFM						
FV-24CURT1	140	82	11	570	25	2.9	151	240 x 240
FV-24CHRT1	200	118	17	760	32			

Note: The value in Specification tables are representative characteristic value at 220V, 50Hz.  
R.P.M. data is for reference only, values may vary subject to different conditions.  
The noise level is measured at 1 meter from fan.

# Ceiling Mount Type

# Ventilating Fan



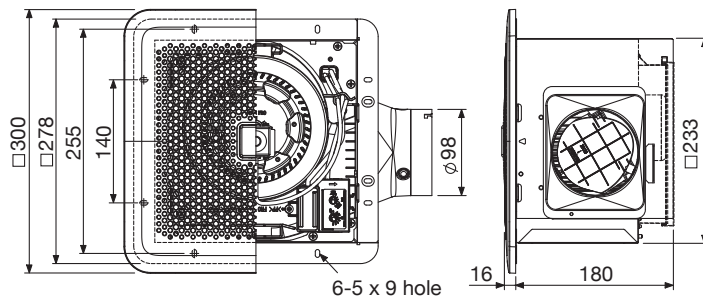
## FV-24CURVT1 / FV-24CHRVT1

### Super Quiet Series

- Auto operation by motion sensor and humidity sensor
- Off delay timer (6 selections)
- HP (half pitch) motor with ball bearing
- Taper blade sirocco fan
- Curve-shaped backdraft shutter
- Super low noise level

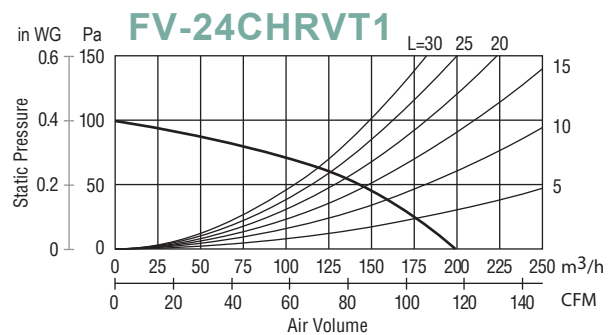
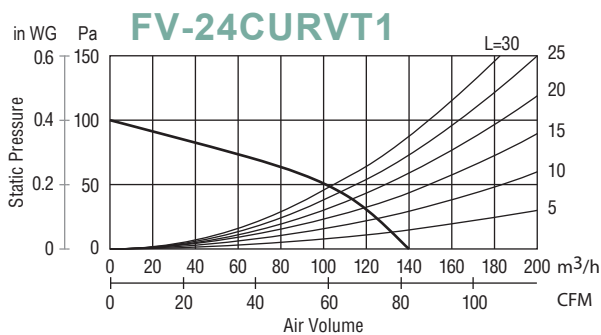
### Dimension

Unit : mm



### Performance Data

(220V 50Hz)



### Specification

Model	Air Volume		Input (W)	Speed (rpm)	Noise (dB(A))	Weight (Kg.)	Blade (Ø) (mm.)	Installation Space W x L (mm.)
	CMH	CFM						
FV-24CURVT1	140	82	11	570	25	3.0	151	240 x 240
FV-24CHRVT1	200	118	17	760	32			

Note: The value in Specification tables are representative characteristic value at 220V, 50Hz.

R.P.M. data is for reference only, values may vary subject to different conditions.

The noise level is measured at 1 meter from fan.

# Ceiling Mount Type

# Ventilating Fan



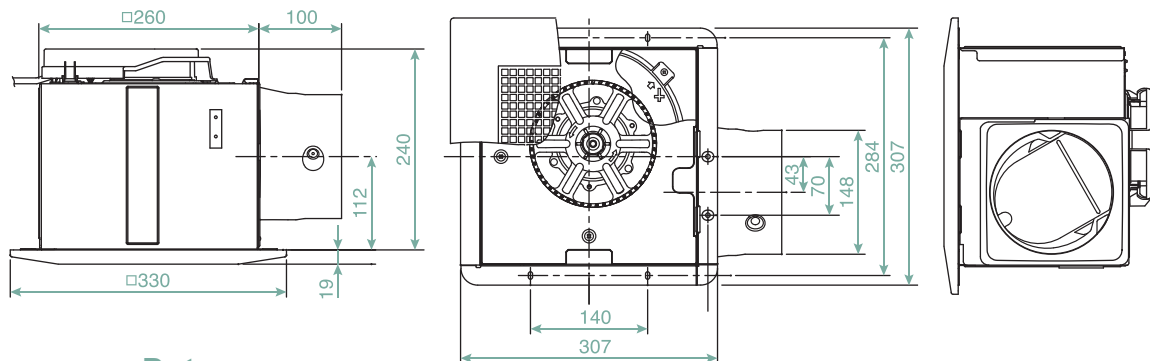
## FV-27CH9

### Super Quiet Series

- High-Low speed selectable
- Condenser motor with thermal cut-off
- Well lubricated bearing for long life operation
- Pre-installed power cord
- Resonance-Noise-Absorption structure
- High performance taper blade designed sirocco fan

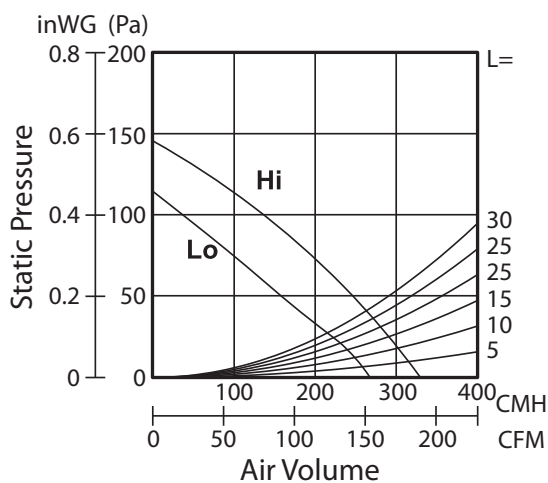
### Dimension

Unit : mm



### Performance Data

(220V 50Hz)



### Specification

Model		Air Volume		Input (W)	Speed (rpm)	Noise (dB(A))	Weight (Kg.)	Blade (Ø) (mm.)	Installation Space W x L (mm.)
		CMH	CFM						
FV-27CH9	Hi	330	194	28	570	34	4.4	190	270 x 270
	Lo	260	153	23	480	30			

Note: The value in Specification tables are representative characteristic value at 220V, 50Hz.  
R.P.M. data is for reference only, values may vary subject to different conditions.  
The noise level is measured at 1 meter from fan.

# Ceiling Mount Type

# Ventilating Fan



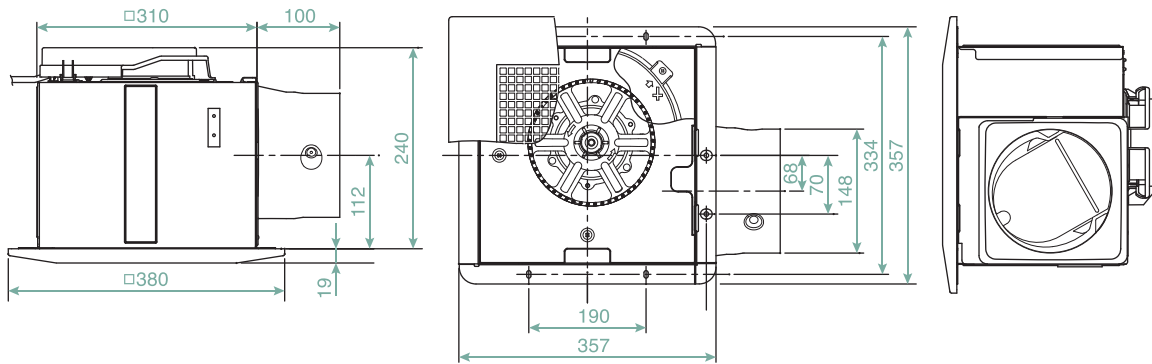
## FV-32CD9 / FV-32CH9

### Super Quiet Series

- High-Low speed selectable
- Condenser motor with thermal cut-off
- Well lubricated bearing for long life operation
- Pre-installed power cord
- Resonance-Noise-Absorption structure
- High performance taper blade designed sirocco fan

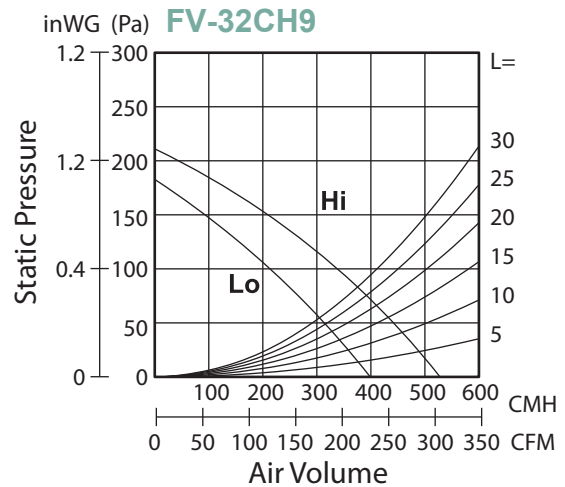
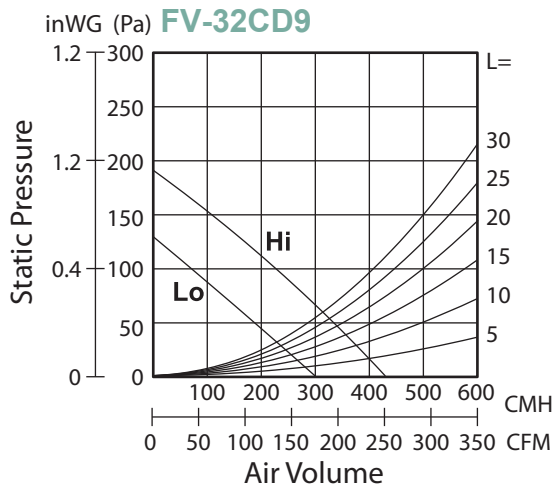
### Dimension

Unit : mm



### Performance Data

(220V 50Hz)



### Specification

Model		Air Volume		Input (W)	Speed (rpm)	Noise (dB(A))	Weight (Kg.)	Blade (Ø) (mm.)	Installation Space W x L (mm.)
		CMH	CFM						
FV-32CD9	Hi	430	253	42	590	36	5.2	190	320 x 320
	Lo	300	176	32	460	28			
FV-32CH9	Hi	530	312	55	710	41	5.6	190	320 x 320
	Lo	400	235	45	570	34			

Note: The value in Specification tables are representative characteristic value at 220V, 50Hz.  
R.P.M. data is for reference only, values may vary subject to different conditions.  
The noise level is measured at 1 meter from fan.

# Ceiling Mount Type

# Ventilating Fan



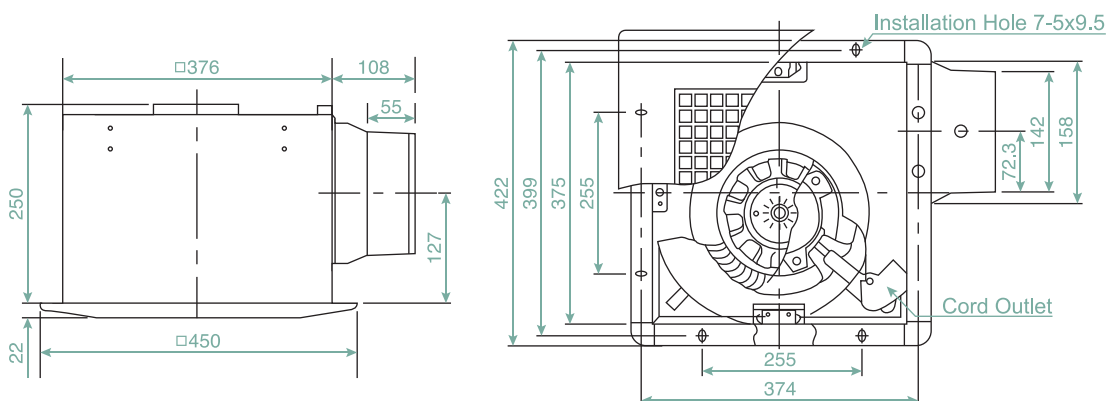
## FV-38CD8 / FV-38CH8

### Super Quiet Series

- High-Low speed selectable
- Condenser motor with thermal cut-off
- Well lubricated bearing for long life operation
- High performance sirocco fan

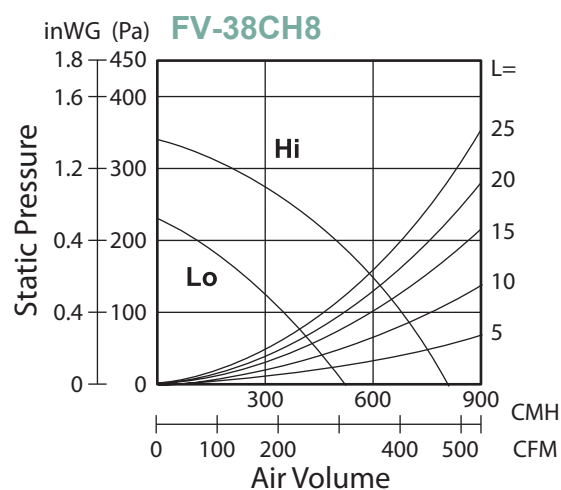
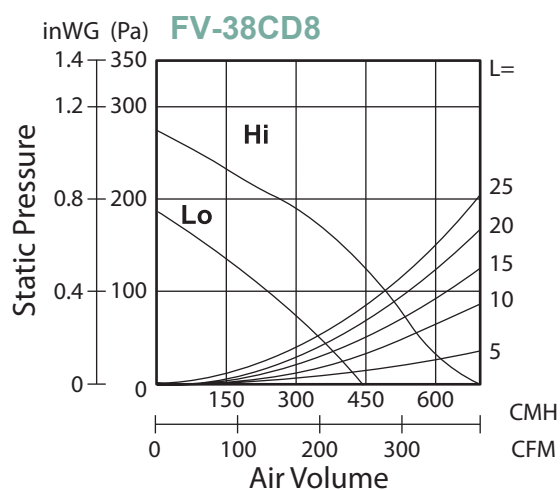
### Dimension

Unit : mm



### Performance Data

(220V 50Hz)



### Specification

Model		Air Volume		Input (W)	Speed (rpm)	Noise (dB(A))	Weight (Kg.)	Blade (Ø) (mm.)	Installation Space W x L (mm.)
		CMH	CFM						
FV-38CD8	Hi	640	377	104	645	44	9.7	230	385 x 385
	Lo	430	253	66	456	35			
FV-38CH8	Hi	800	471	140	790	50	10.4	230	385 x 385
	Lo	525	309	89	540	40			

Note: The value in Specification tables are representative characteristic value at 220V, 50Hz.

R.P.M. data is for reference only, values may vary subject to different conditions.

The noise level is measured at 1 meter from fan.

# Ceiling Mount Type

# Ventilating Fan



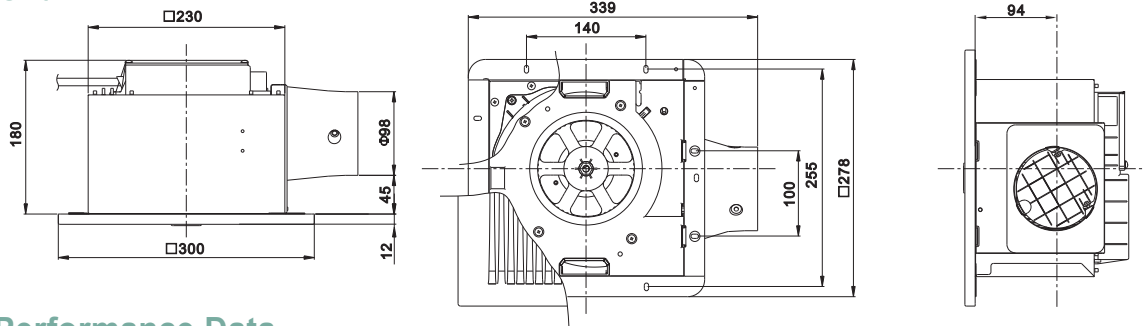
## FV-24JR2 / FV-24JA2

### DC Motor Series

- DC motor
- Constant airflow
- Variable air volume
- 15-minute delay timer
- Auto operation by motion sensor (For FV-24JR2)
- Resonance-Noise-Absorption Structure
- Taper blade sirocco fan
- Pre-installed power cord

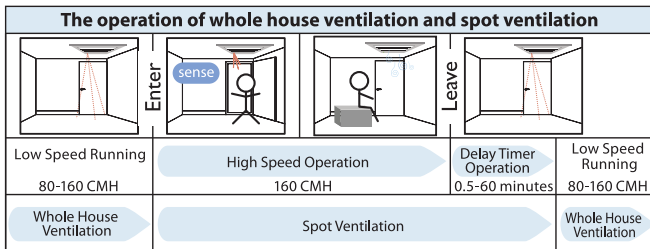
### Dimension

Unit : mm

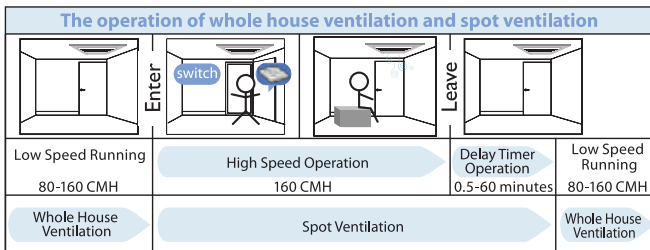


### Performance Data

(220V 50Hz)

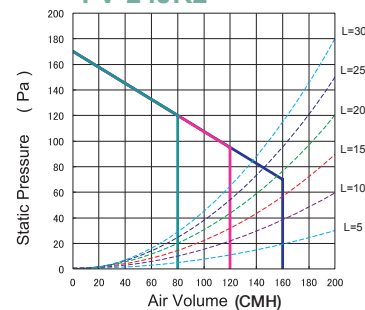


The operation can be activated by motion sensor.

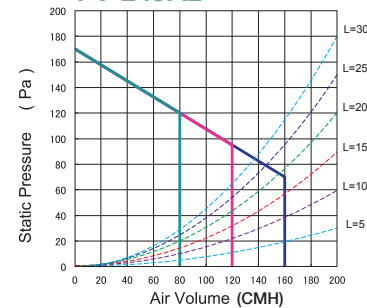


The operation can be activated by switch on and off manually.

### FV-24JR2



### FV-24JA2



### Specification

Model	Air Volume		Power Consumption W x L (mm.)	Noise (dB(A))	Net Weight (Kg.)	Installation Space W x L (mm.)	Duct Diameter (W)
	CMH	CFM					
FV-24JR2/	160	94	8	31	2.9	240 x 240	100
FV-24JA2	120	71	5.2	26			
	80	47	3.6	20			

Note: The value in Specification tables are representative characteristic value at 220V, 50Hz.  
R.P.M. data is for reference only, values may vary subject to different conditions.  
The noise level is measured at 1 meter from fan.



**Bathroom Series**

**15**



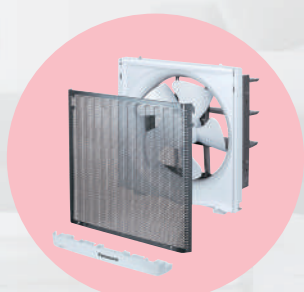
**Shutter Series**

**16**



**Rain Hood Series**

**16**



**Filter Series**

**17**



**Normal Shutter Series**

**Reversible Series**

**18**



**Automatic Shutter Series**

**Reversible Series**

**19**

# Wall Mount Type

# Ventilating Fan

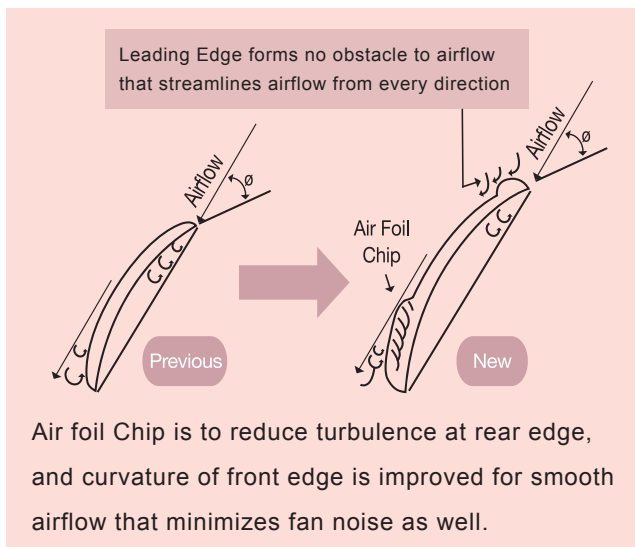
These fans shall be installed in and exhaust air through a wall. They are equipped with outside shutters which will open when the fan is on and vice versa. There is a wide range of products, either blade size or functions, that can fit to various requirements.

Filter type collects oil effectively that is ideal for the use in kitchen. Louver Type provides additional safety protection from finger reach while Reversible Type extends the flexibility of utilization by selection of exhaust or intake. Metallic Type is suitable for the place in where resin ventilating fan cannot be used.

## General Features

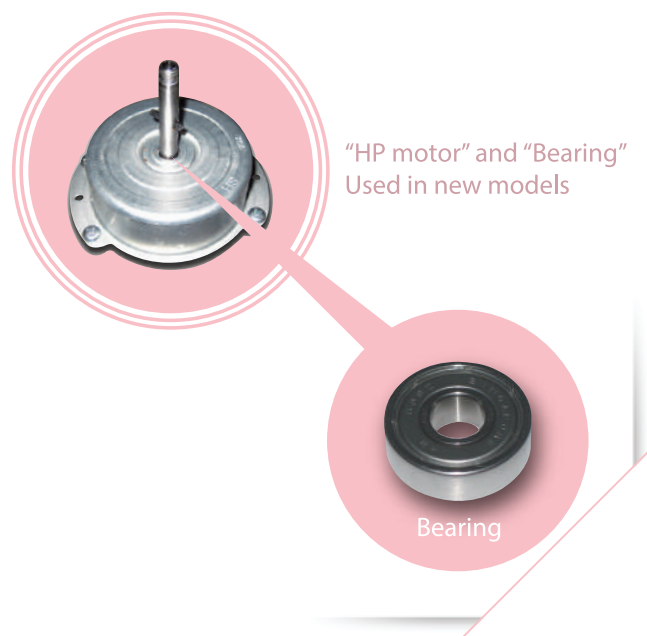
### 1 Advanced Blade Design

New blade design applies advance aerodynamic principle that minimizes any obstacles against the airflow.



### 2 New HP Motor & Bearing

Compared with previous models, new models adopt high performance condenser motor and long life bearing that prolong the product durability, from average 30,000 hours life time to 60,000 hours. They also enable energy saving by reducing power consumption down to average 13%.





# Wall Mount Type

## Entry Bath Fan

### New Features for Bathroom Series

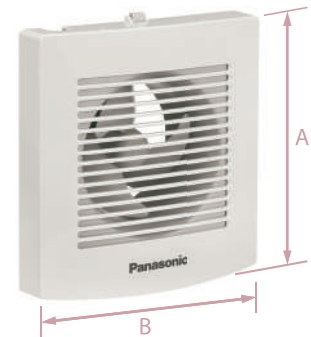
#### 1 Compact & Stylish

Compact size with powerful exhaust capacity can fit most bathrooms up to 7.5m<sup>3</sup> and 15m<sup>3</sup> respectively.

Moreover, the slim and elegant design of front louver match any modern décor perfectly.

Unit : mm

Model No.	A	B
FV-10EGS1T / FV-10EGK1T	176	170
FV-15EGS1T / FV-15EGK1T	230	220



#### 2 Easy Installation

The Exhauster is well-designed to facilitate the installation of product. With the supplied accessories, only few steps are required to complete the set up of fan.

Shutter Series (For Vertical Shaft)	Only 2 steps for installation						
<p><b>STEP 1</b></p> <p>Insert and fix from inside wall, then caulk</p> <p><b>STEP 2</b></p> <p>Connect power wires and fix fan</p>	<ul style="list-style-type: none"> <li>- The fan can be mounted in the shaft of building which is used for exhausting air or ducting.</li> <li>- Be sure to be secured duct space as shown below. Otherwise, the fan cannot perform as designed.</li> </ul> <table border="1"> <thead> <tr> <th>Model No.</th> <th>A</th> </tr> </thead> <tbody> <tr> <td>FV-10EGS1T</td> <td>&gt;210mm</td> </tr> <tr> <td>FV-15EGS1T</td> <td>&gt;250mm</td> </tr> </tbody> </table>	Model No.	A	FV-10EGS1T	>210mm	FV-15EGS1T	>250mm
Model No.	A						
FV-10EGS1T	>210mm						
FV-15EGS1T	>250mm						

Rain Hood Series	Only 4 steps for installation
<p><b>STEP 1</b></p> <p>Insert and fix from inside wall, then caulk</p> <p><b>STEP 2</b></p> <p>Connect power wires and fix fan</p>	<p><b>STEP 3</b></p> <p>Screw and fix from outside wall</p> <p><b>STEP 4</b></p> <p>Hang and fix pipe hood, then caulk</p>

# Wall Mount Type

# Entry Bath Fan



## FV-10EGS1T / FV-15EGS1T

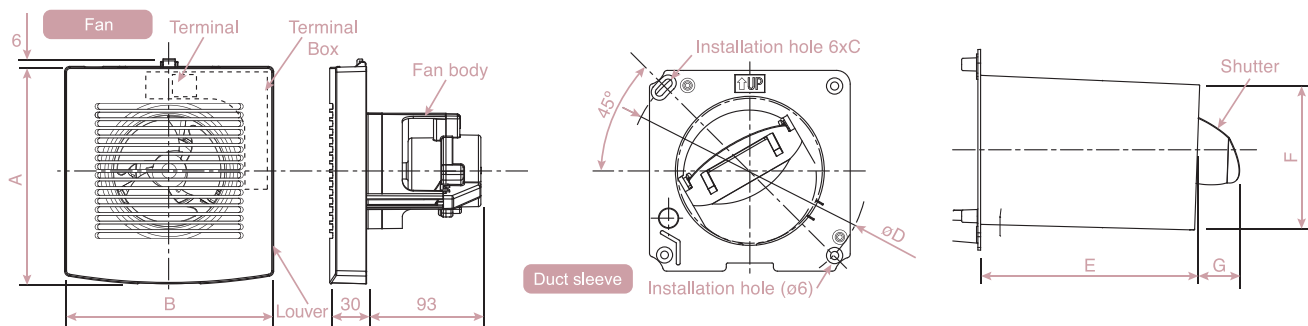
### Shutter Series (for Vertical Shaft)

- Powerful exhaust of moisture and smell
- Compact and stylish design
- Back draft shutter
- All accessories are included for most convenience
- Easy installation

### Dimension

Unit : mm

Model	A	B	C	D	E	F	G
FV-10EGS1T	176	170	9.3	177	160	115	40
FV-15EGS1T	230	220	11.5	230	160	160	80



## FV-10EGK1T / FV-15EGK1T

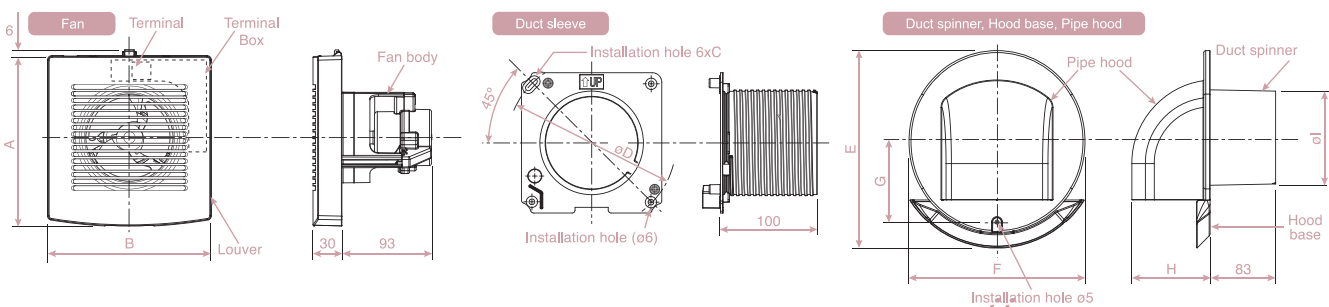
### Rain Hood Series

- Powerful exhaust of moisture and smell
- Compact and stylish design
- Prevent trace caused by rain water
- All accessories are included for most convenience
- Easy installation
- Wall thickness 100-150mm

### Dimension

Unit : mm

Model	A	B	C	D	E	F	G	H	I
FV-10EGK1T	176	170	9.3	177	250	220	107	99	120
FV-15EGK1T	230	220	11.5	221	310	270	142	138	165



## Specification

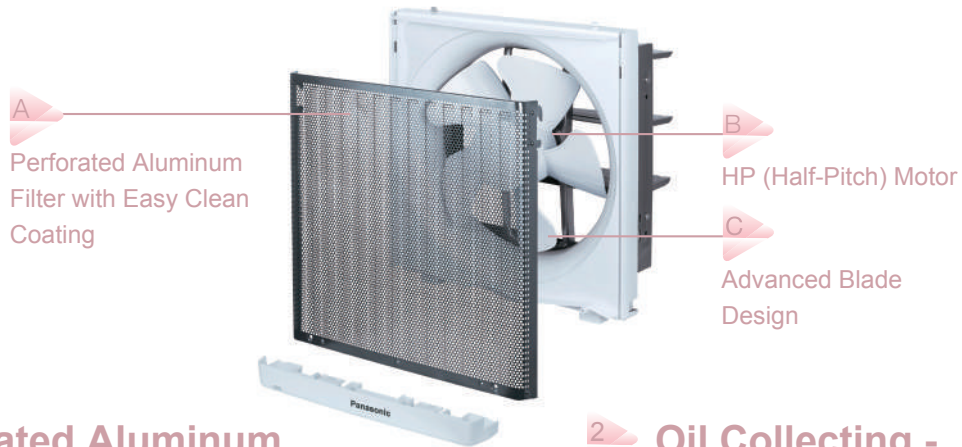
Model	Air Volume		Input (W)	Speed (rpm)	Noise (dB(A))	Weight (Kg.)	Grill Size W x L (mm.)	Installation Space W x L (mm.)
	CMH	CFM						
FV-10EGS1T	75	44	5.5	2,706	35	0.9	170 x 176	Ø120 -125
FV-15EGS1T	150	88	6.2	2,329	36	1.1	220 x 230	Ø165 -170
FV-10EGK1T	75	44	5.5	2,706	33	1.2	170 x 176	Ø135 ±5
FV-15EGK1T	160	94	6.2	2,329	34	1.5	220 x 230	Ø180 ±5

Note: The value in Specification tables are representative characteristic value at 220V, 50Hz.  
R.P.M. data is for reference only, values may vary subject to different conditions.  
The noise level is measured at 1 meter from fan.

# Wall Mount Type

# Kitchen Fan

## New Features for Filter Series



### 1 Perforated Aluminum Filter - Durable

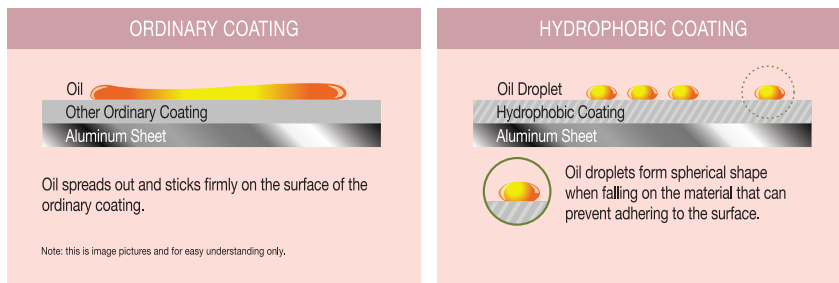
The filter adopts aluminum material to assure excellent durability, and it is easy detachable for cleaning and maintenance.

### 2 Oil Collecting - Environmental Friendly

The perforated filter is competent in collecting oil. It allows the air exhausted to outdoor is less polluted that improves the air quality of surrounding.

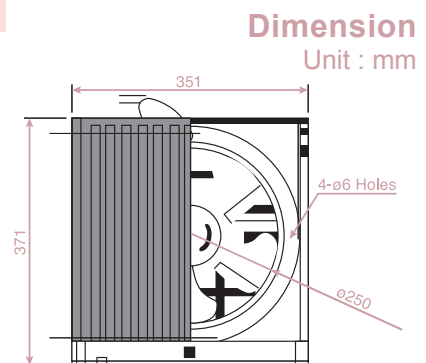
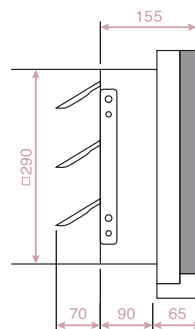
### 3 Easy Clean Coating - Convenient

The perforated aluminum filter is processed with an easy-clean coating name "Hydrophobic Coating". It is basically a paint composed of fluorine compound particles that have small affinity with water or oil. This material has low surface tension allowing oil droplets falling on without adhering to the material.



### FV-25FUT1 Filter Series

- Recommend to use in kitchen
- Automatic Shutter
- Perforated aluminum filter
- Large capacity oil cup
- Oil Indicator on oil cup
- High exhaust air volume under actual usage condition (20Pa)



## Specification

Model	Air Volume		Input (W)	Speed (rpm)	Noise (dB(A))	Weight (Kg.)	Grill Size W x L (mm.)	Installation Space W x L (mm.)
	CMH	CFM						
FV-25FUT1	835	491	34	1,100	42	2.8	351 x 371	300 x 300

Note: The value in Specification tables are representative characteristic value at 220V, 50Hz. R.P.M. data is for reference only, values may vary subject to different conditions. The noise level is measured at 1 meter from fan.

# Wall Mount Type

# Ventilating Fan



## FV-15AST1 / FV-20AUT3 / FV-25AUT3 / FV-30AUT3 / FV-20AYT1

Normal Shutter Series

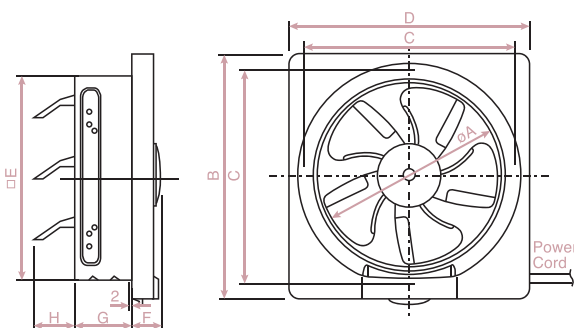
## FV-20RUT2 / FV-25RUT2 / FV-30RUT2

Reversible Series

- HP condenser motor with thermal cut-off
- Well lubricated bearing for long life operation
- Propeller fan incorporated with advanced blade design (except FV-30AUT3 and FV-30RUT2)
- For reversible series, on-off and reversible function operated by pull cord switch

### Dimension

Unit : mm



Model No.	A	B	C	D	E	F	G	H
FV-15AST1	155	254	195	240	170	52	75	54
FV-20AYT1	208	306	260	302	240	52	90	60
FV-20AUT3	200	306	260	302	240	52	90	80
FV-25AUT3	250	356	310	352	290	38	90	63
FV-30AUT3	300	406	360	402	340	38	90	78
FV-20RUT2	200	306	260	302	240	52	90	80
FV-25RUT2	250	356	310	352	290	38	90	63
FV-30RUT2	300	406	360	402	340	38	90	78

### Specification

Model	Air Volume		Input (W)	Speed (rpm)	Noise (dB(A))	Weight (Kg.)	Grill Size W x L (mm.)	Installation space W x L (mm.)
	CMH	CFM						
FV-15AST1	290	170	17.3	1,480	31.0	1.4	240 x 254	170 x 170
FV-20AYT1	380	224	15	1,365	36.5	2.0	302 x 306	250 x 250
FV-20AUT3	580	341	20	1,250	37.5	2.0	302 x 306	250 x 250
FV-25AUT3	920	541	27	1,100	39.0	2.4	352 x 356	300 x 300
FV-30AUT3	1,152	678	31	890	39.0	2.7	402 x 406	350 x 350
FV-20RUT2	EX	580	341	20	1,260	2.1	302 x 306	250 x 250
	IN	405	238	15	1,150			
FV-25RUT2	EX	945	556	27	1,090	2.4	352 x 356	300 x 300
	IN	600	353	21	1,010			
FV-30RUT2	EX	1,164	685	31	885	2.8	402 x 406	350 x 350
	IN	698	411	24	760			

Note: The value in Specification tables are representative characteristic value at 220V, 50Hz.  
R.P.M. data is for reference only, values may vary subject to different conditions.  
The noise level is measured at 1 meter from fan.

# Wall Mount Type

# Ventilating Fan



## FV-20LUT3 / FV-25LUT3 / FV-30LUT1

Automatic Shutter Series

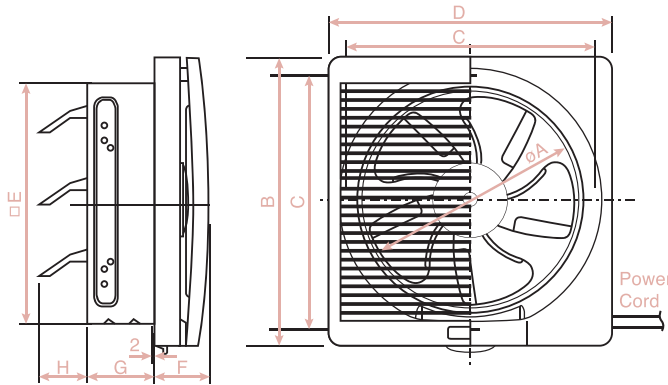
## FV-20RLT2 / FV-25RLT2 / FV-30RLT1

Reversible Series

- HP condenser motor with thermal cut-off
- Well lubricated bearing for long life operation
- Propeller fan incorporated with advanced blade design (except FV-30LUT1 and FV-30RLT1)
- For reversible series, on-off and reversible function operated by pull cord switch

### Dimension

Unit : mm



Model No.	A	B	C	D	E	F	G	H
FV-20LUT3	200	306	260	302	240	68	90	80
FV-25LUT3	250	356	310	352	290	63	90	63
FV-30LUT1	300	406	360	402	340	63	90	78
FV-20RLT2	200	306	260	302	240	68	90	80
FV-25RLT2	250	356	310	352	290	63	90	63
FV-30RLT1	300	406	360	402	340	63	90	78

### Specification

Model	Air Volume		Input (W)	Speed (rpm)	Noise (dB(A))	Weight (Kg.)	Grill Size W x L (mm.)	Installation space W x L (mm.)
	CMH	CFM						
FV-20LUT3	546	321	20	1,190	40	2.2	302 x 306	250 x 250
FV-25LUT3	835	491	27	1,060	43	2.7	352 x 356	300 x 300
FV-30LUT1	930	547	31	820	43	3.1	402 x 406	350 x 350
FV-20RLT2	EX	546	321	20	1,240	39	302 x 306	250 x 250
	IN	370	218	15	1,190	46		
FV-25RLT2	EX	840	494	29	1,040	43	352 x 356	300 x 300
	IN	580	341	21	1,035	45		
FV-30RLT1	EX	990	583	33	880	44	402 x 406	350 x 350
	IN	594	349	24	776	43		

Note: The value in Specification tables are representative characteristic value at 220V, 50Hz.  
R.P.M. data is for reference only, values may vary subject to different conditions.  
The noise level is measured at 1 meter from fan.



**Cord-operated Shutter Series**  
**22**



**Automatic Shutter Series**  
**22**



## Features for Cord-operated Shutter Series

### 1 High performance condenser motor with long life bearing

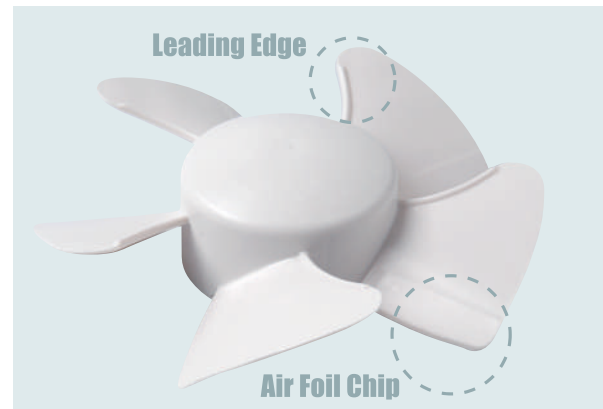
- Low power consumption (50% down VS previous model)
- Low noise level (6% down VS previous model)
- Long life up to 40,000 hours (1.5 time VS previous model)
- Comply with IPX4 (outside)



“HP motor” and “Bearing” used in new models.

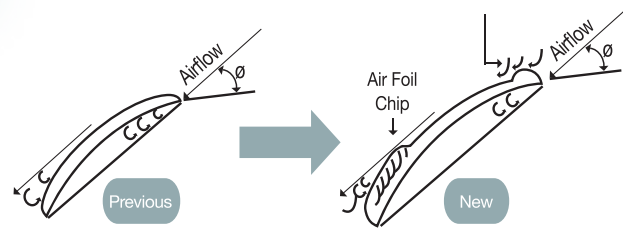


### 2 Advanced Blade Design



- High Air Volume
- Low noise level (6% down VS previous model)

Leading Edge forms no obstacle to airflow that streamlines airflow from every direction



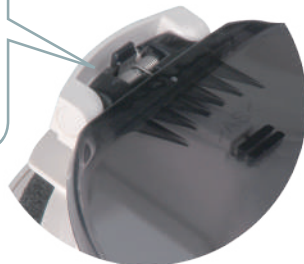
Air Foil Chip is to reduce turbulence at rear edge, and curvature of front edge is improved for smooth airflow that minimizes fan noise as well.

### 3 Advanced Blade Design



Metallic Shutter axis is used as the supporter for movement of shutter that provides a better endurance.

- Durable
- Sustainable to strong wind



# Window Mount Type

# Ventilating Fan



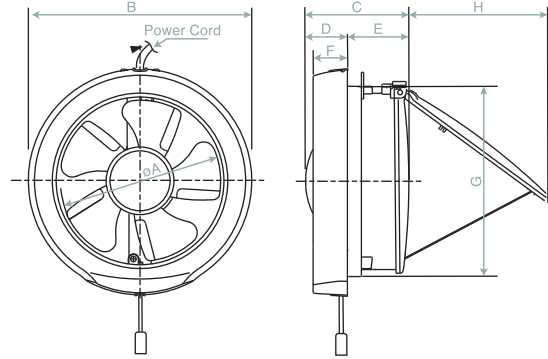
## FV-15WUT4 / FV-20WUT4

### Cord-operated Shutter Series

- HP condenser motor with thermal cut-off
- Well lubricated bearing for long life operation
- Propeller fan incorporated with advanced blade design
- Shutter operated by pull cord

## Dimension

Unit : mm



Recommend Glass Thickness = 3 - 7mm

Model	A	B	C	D	E	F	G	H
FV-15WUT4	150	210	97	43	54	37	177	149
FV-20WUT4	200	271	98	36	62	36	237	201



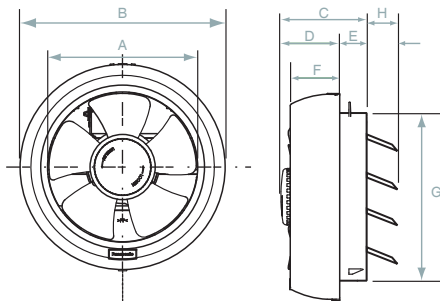
## FV-15WAT2 / FV-20WAT2

### Automatic Shutter Series

- HP condenser motor with thermal cut-off
- Well lubricated bearing for long life operation
- Propeller fan incorporated with advanced blade design
- Automatic Shutter

## Dimension

Unit : mm



Model	A	B	C	D	E	F	G	H
FV-15WAT2	150	212	100	47	53	38	175	30
FV-20WAT2	206	290	122	76	46	59	237	36

## Specification

Model	Air Volume		Input (W)	Speed (RPM)	Noise (dB(A))	Weight (kg.)	Installation Space (WxL)
	CMH	CFM					
FV-15WUT4	210	124	8.1	1,463	35	0.9	Ø 186 - 188
FV-20WUT4	360	212	16.4	1,042	32	1.1	Ø 247 - 250
FV-15WAT2	210	124	14.0	1,900	43	0.9	Ø 186 - 188
FV-20WAT2	380	224	15.0	1,320	42	1.4	Ø 278 - 280

Note: The value in Specification tables are representative characteristic value at 220V, 50Hz.  
R.P.M. data is for reference only, values may vary subject to different conditions.  
The noise level is measured at 1 meter from fan.



# High Pressure Industrial Type

## Ventilating Fan



**Shutter Series**

**24**



**Single Phase**

**Three Phase**

**High Pressure Series**

**25**

# High Pressure Industrial Type

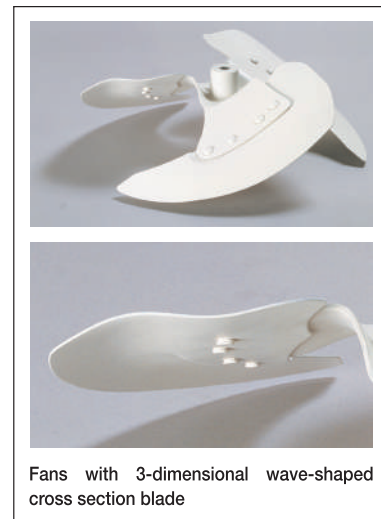
# Ventilating Fan

## Features of High Pressure Series

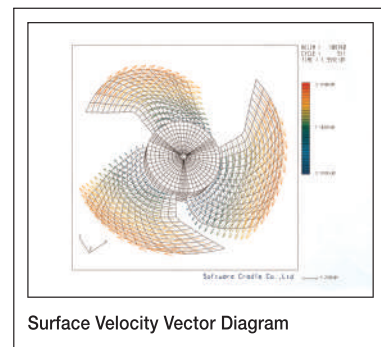
**1 High Static Pressure, Low Power Consumption**  
The Unique design of wave-shaped blade and bellmouth construction enable better performance in high static pressure and low power consumption.

**2 Low Noise Design**  
The Blade's distinctive wave-shaped is developed by application of hydrodynamic analysis. It can deliver a smooth and turbulence free airflow, meaning the performance in big volume but with less noise.

**3 Improved Durability**  
Pressure is distributed more uniformly over the surface of the blade, making it more durable. A special polyester resin powder coating give a beautiful color and a highly rust-resistant finishing.



Fans with 3-dimensional wave-shaped cross section blade



Surface Velocity Vector Diagram



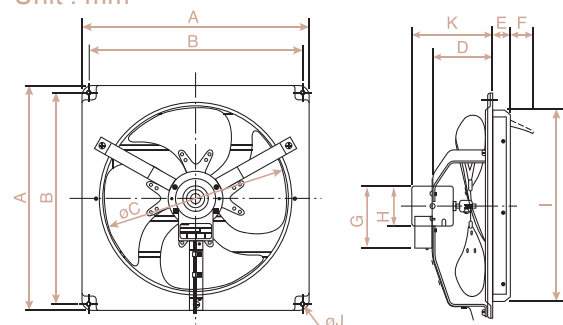
### FV-30KUT / FV-40KUT / FV-50AET2

#### Shutter Series

- Durable powder coating
- High performance motor with thermal cut-off
- Able to be used over an ambient temperature range from -10°C to +50°C

#### Dimension

Unit : mm



Model No.	A	B	C	D	E	F	G	H	I	J	K
FV-30KUT	420	385	305	116	34	40	141	90	340	10	164
FV-40KUT	510	480	410	133	40	52	141	90	434	10	181
FV-50AET2	650	600	520	181	48	63	-	175	526	12	283

# High Pressure Industrial Type

# Ventilating Fan



Single Phase

**FV-25GS4 / FV-30GS4 / FV-35GS4 / FV-40GS4 /  
FV-45GS4 / FV-50GS4 / FV-60GS4**

Three Phase

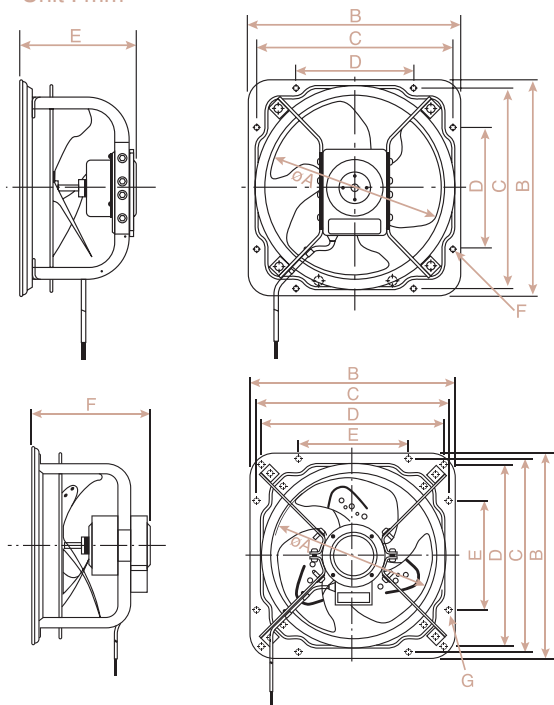
**FV-45GT4 / FV-50GT4 / FV-60GT4**

High Pressure Series

- Reversible
- Bellmouth construction with distinctive wave-shaped blade
- Durable powder coating
- High performance motor with thermal cut-off
- Able to be used over an ambient temperature range from -10°C to +50°C
- Possible to install horizontally or vertically
- Remark: Wire guard, rain hood and shutter are supplied as accessories

## Dimension

Unit : mm



Model No.	A	B	C	D	E	F
FV-25GS4	250	327	298	165	171	10
FV-30GS4	300	378	349	210	200	10
FV-35GS4	350	467	434	250	236	12

Model No.	A	B	C	D	E	F
FV-40GS4	400	518	485	280	274	12
FV-45GS4	450	570	540	320	297	12
FV-50GS4	500	659	620	355	315	15
FV-60GS4	620	760	720	400	320	15
FV-45GT4	450	570	540	320	297	12
FV-50GT4	500	659	620	355	304	15
FV-60GT4	620	760	720	400	320	15

## Specification

Model	Phase	Voltage	Air Volume		Input (W)	Speed (rpm)	Noise (dB(A))	Weight (Kg.)	Installation Space W x L (mm.)
			CMH	CFM					
FV-30KUT	1	220	1,220	718	42	1,185	46	4.9	340 x 340
FV-40KUT			2,065	1,216	61	1,175	49	6.4	434 x 434
FV-50AET2			3,630	2,137	112	920	54	11.5	526 x 526
FV-25GS4			1,150	676	45	1,360	34	4.4	275 x 275
FV-30GS4			1,820	1,071	68	1,360	38	6.1	325 x 325
FV-35GS4			2,560	1,506	101	1,420	44	10.5	395 x 395
FV-40GS4			3,610	2,124	185	1,450	47	19.0	445 x 445
FV-45GS4			5,200	3,060	261	1,410	51	19.0	500 x 500
FV-50GS4			6,130	3,607	286	960	47	22.5	555 x 555
FV-60GS4			8,040	4,731	282	970	50	34.0	675 x 675
FV-45GT4	3	380	5,420	3,189	220-330	1,460	52	18.5	500 x 500
FV-50GT4			7,240	4,260	320-475	1,400	54	28.5	555 x 555
FV-60GT4			9,700	5,708	310-450	960	50	34.0	675 x 675

Note: The value in Specification tables are representative characteristic value at 220V, 380V, 50Hz.  
R.P.M. data is for reference only, values may vary subject to different conditions.

# Hand Dryer

## Features

### Safe Operation

- Power Dry will stop after 60 seconds of continuous operation
- "Check" indicator will light up when the unit detects overheated

### Quick Response Sensor

- Automatic sensor operation, no physical contact is required to activate the unit

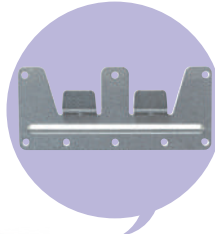


### Heater ON/OFF Switch

- Heater can be switched off for energy saving in hot season

### Full Tank Indicator (FJ-T09A3 only)

- Remind you for cleaning up the water tank when it is full



### Easy Installation

- Metallic bracket for wall hanging attached
- Stylish and streamline design fits most interior

### Anti-bacteria Material

- The product body is adopted with anti-bacteria material to prevent the growth of bacteria and germs in the warm and humid environment of washroom

### Drain Pan (FJ-T09A3 only)



- Drain pan can reduce water dripping on floor to avoid slippery



### Super alleru-buster Filter

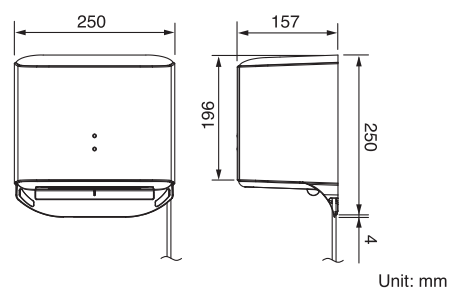
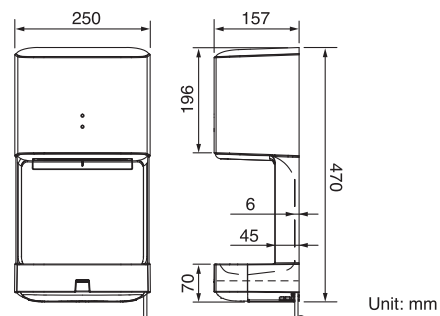
- The filter is equipped to ensure the air blow to your hand is clean

## Specification

FJ-T09A3		220V 50Hz
Power Consumption [W]	Heater ON	1,020
	Heater OFF	650
Air Velocity [m/s]		90 - 110
Drying Time [second]		4 - 9
Noise [dB(A)]		62
Drain Pan		Yes
Weight [kg]		4

FJ-T09B3		220V 50Hz
Power Consumption [W]	Heater ON	1,020
	Heater OFF	650
Air Velocity [m/s]		90 - 110
Drying Time [second]		4 - 9
Noise [dB(A)]		62
Drain Pan		No
Weight [kg]		3.5

## Dimension



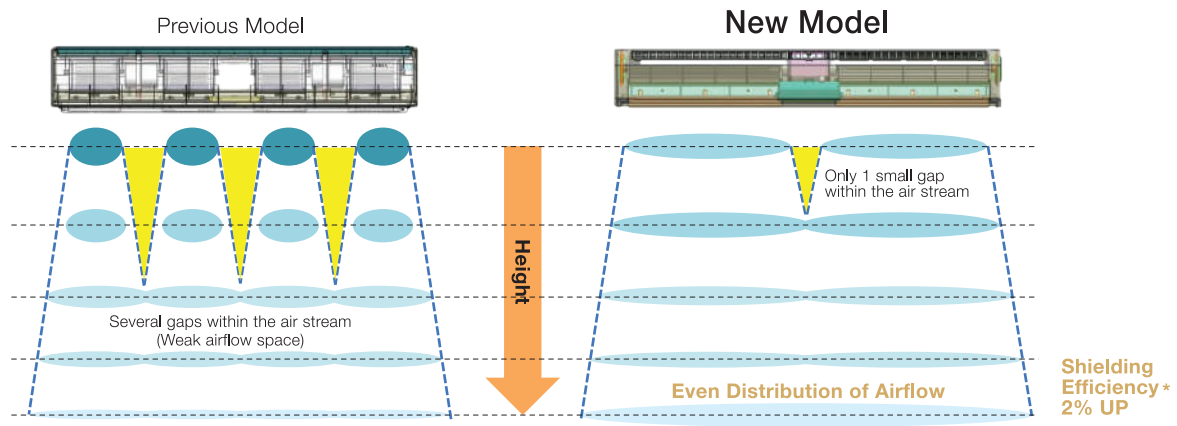
# Air Curtain



**FY-2509U1 / FY-3009U1 / FY-3509U1 / FY-4009U1**  
**FY-2512U1 / FY-3012U1 / FY-3512U1 / FY-4012U1**  
**FY-2515U1 / FY-3015U1 / FY-3515U1 / FY-4015U1**

- Cross Flow Fan airflow distribution is wide and uniform within the air stream
- Resin with glass fiber meterail is used in the Hybrid Cross Flow Fan the durability is prolonged significantly
- Easy Maintenance
- Contemporary Design

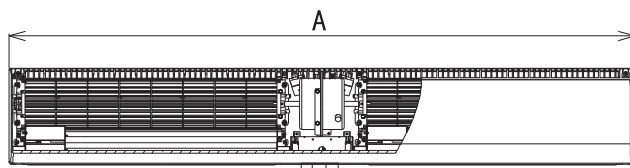
## Wide and Uniform Airflow



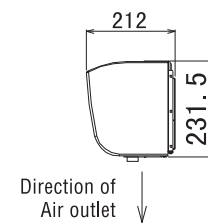
## Dimension

Unit : mm

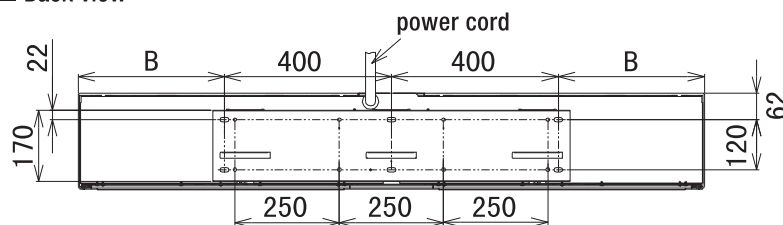
### Front view



### Right view



### Back view



Unit: mm

Model	FY-2509U1 FY-3009U1 FY-3509U1 FY-4009U1	FY-2512U1 FY-3012U1 FY-3512U1 FY-4012U1	FY-2515U1 FY-3015U1 FY-3515U1 FY-4015U1
A	900	1200	1500
B	50	200	350

## Specification

	Model No.	Voltage [V]	Hz	Air Volume				Consumption [W]		Current [A]		Outlet Velocity [m/s]		Noise [dB(A)]		Weight [kg]
				Hi		Lo		Hi	Lo	Hi	Lo	Hi	Lo	Hi	Lo	
				CMH	CFM	CMH	CFM									
900mm	FY-2509U1	220	50	950	559	840	494	63	55	0.29	0.28	8.5	7.5	44.0	41.5	12.0
	FY-3009U1	220	50	1,100	647	920	541	76	70	0.35	0.32	10.5	8.5	48.5	45.0	12.0
	FY-3509U1	220	50	1,150	677	1,000	589	95	85	0.41	0.39	11.0	9.0	51.0	49.0	12.0
	FY-4009U1	220	50	1,340	789	1,190	700	110	94	0.50	0.43	12.0	10.0	54.5	51.0	12.5
1200mm	FY-2512U1	220	50	1,250	736	1,150	677	77	75	0.35	0.34	8.5	7.5	43.0	41.0	14.0
	FY-3012U1	220	50	1,400	824	1,270	747	94	85	0.43	0.40	9.5	8.0	48.5	44.5	14.5
	FY-3512U1	220	50	1,550	912	1,300	765	114	100	0.49	0.46	10.5	8.5	49.0	46.0	14.5
	FY-4012U1	220	50	1,700	1,001	1,530	901	126	105	0.59	0.49	12.0	10.0	52.5	48.5	15.5
1500mm	FY-2515U1	220	50	1,400	824	1,150	677	93	73	0.42	0.34	8.5	7.5	45.0	42.0	17.5
	FY-3015U1	220	50	2,000	1,177	1,800	1,059	131	110	0.59	0.50	10.5	9.5	51.5	48.0	18.0
	FY-3515U1	220	50	1,800	1,059	1,500	883	146	110	0.67	0.52	11.0	9.0	52.0	49.0	18.0
	FY-4015U1	220	50	2,450	1,442	2,080	1,224	177	147	0.81	0.68	13.0	10.0	56.0	52.0	18.0

Note: The value in Specification tables are representative characteristic value at 220V, 50Hz.  
 R.P.M. data is for reference only, values may vary subject to different conditions.

# Air Moving Equipment

## Panasonic Duct Type Air Moving Equipment High Efficiency • Low Noise • Easy Installation

Select the proper models according to location, application and required air volume

### Main Feature & Applicable Venue

- Noise
- Power Consumption
- Static
- Dimension

- Low Noise
- Low Profile
- High Static Pressure

The models require to have low noise and able to be installed in narrow space, such as ceiling.

Office, Meeting Room, Shop, Hall, Kitchen, Bathroom, Cellar, etc.

- Low Power Consumption

The models require to have low static pressure and noise with large air volume and low power consumption

Machinery Workshop, Workshop, Warehouse, etc.

- High Static Pressure
- Compact

The models require to have compact size and be able to use in high static pressure with floor standing for general application.

Machinery Workshop, Workshop, Warehouse, Kitchen, Bathroom, Cellar, etc.

Category • Type	Air Volume Range	Applicable Location	Installation Method	
			Hanging	Floor Standing

### DUCT Type In-line Fan

Category • Type	Air Volume Range	Applicable Location	Hanging	Floor Standing
Low Noise Type	Small-Med Air Volume (8 Models)	Indoor	Hanging	
	Large Air Volume	Indoor	Hanging	

### Compact Axial Fan • Axial Flow Fan

Category • Type	Air Volume Range	Applicable Location	Hanging	Floor Standing
Compact Axial Flow Fan	Small-Med Air Volume (10 Models)	Indoor	Hanging	
Axial Flow Fan	Large Air Volume	Indoor		Floor Standing







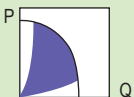


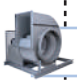
### Centrifugal Fan

Category • Type	Air Volume Range	Applicable Location	Hanging	Floor Standing	
Mini Sirocco Fan	Small-Med Air Volume (8 Models)	Indoor	Hanging	Floor Standing	
Centrifugal Fan	Forward Curved Blade	Large Air Volume	Indoor	Hanging	Floor Standing
	Backward Curved Blade	Large Air Volume • High Static Pressure	Indoor	Hanging	Floor Standing

# Air Moving Equipment

## Work With Various Requirements -

\* Static pressure range around central value of air volume

Operation Static Pressure Range	Air Volume Range (Central value to maximum value) (CMH)											
	200	300	500	1000	1500	2000	3000	4000	6000	9000	15000	25000 or above
<p>50~400Pa</p> 							Single Phase			Low Noise Type Cabinet Fan		
							Three Phase			Low Noise Type Cabinet Fan		
<p>50~300Pa</p> 							Single Phase & Three Phase			Compact Axial		
							VDA			Adjustable Pitch Axial Flow Fan		
<p>50~600Pa</p> 							Single Phase & Three Phase			Mini Sirocco		
							FCS/FCD			Centrifugal Fan		
							BCS/BCD			Centrifugal Fan		

# Mini Sirocco



Single Phase:

**FY-10CG1 / FY-12CG1 / FY-14CG1 / FY-16CG1 /  
FY-17CG1 / FY-19CG1 / FY-21CG1**

Three Phase:

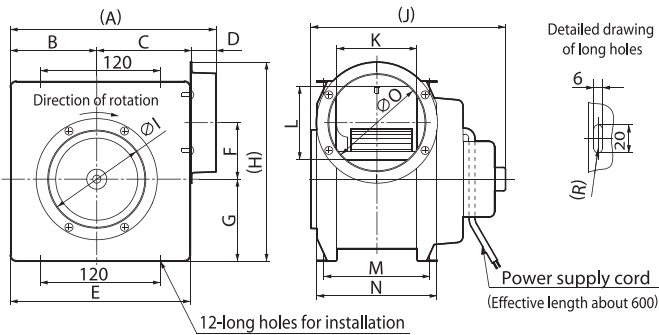
**FY-21CT1**

- Long life induction motor with thermal cut-off
- High efficiency sirocco fan employed for powerful airflow
- Outlet direction is adjustable to vertical or horizontal position
- Compact size
- 2-speed selectable (FY-16CG1, FY-17CG1, FY-19CG1, FY-21CG1, FY-21CT1 only)

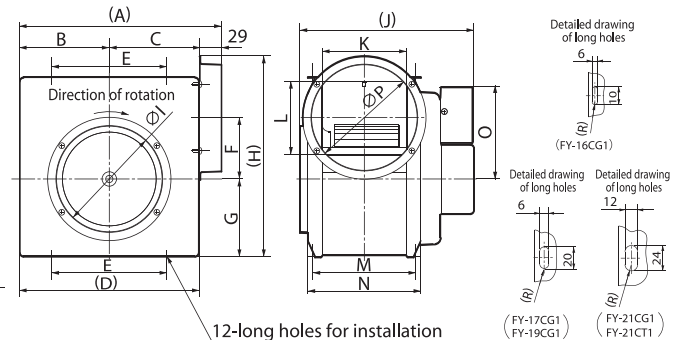
## Dimension

Unit : mm

**FY-10CG1 • 12CG1 • 14CG1**



**FY-16CG1 • 17CG1 • 19CG1 • 21CG1 • 21CT1**



Model	A	B	C	D	E	F	G	H	I	J	K	L	M	N	O	P
FY-10CG1	206	86	95	24	180	56	82	199	98	199	80	74	106	120	98	-
FY-12CG1	261	112	119	29	230	76	100	261	148	230	105	98	131	145	148	-
FY-14CG1	261	112	119	29	230	76	100	261	148	230	105	98	131	145	148	-
FY-16CG1	281	125	126	29	160	85	108	279	148	237	117	102	143	157	128	148
FY-17CG1	331	151	150	29	160	106	130	346	198	310	165	116	187	205	142	198
FY-19CG1	331	151	150	29	160	106	130	346	198	310	165	116	187	205	142	198
FY-21CG1	361	166	165	29	200	121	145	378	198	360	190	110	226	250	161	198
FY-21CT1																

## Specification

Model	Phase	Voltage	Air Volume		Input (W)	Speed (rpm)	Noise (dB(A))			Weight (Kg.)	Duct Size (mm.)	
			CMH	CFM			Suction	Casing	Discharge			
FY-10CG1	1	220	144	85	11	980	38	32	38	3.1	Ø 100	
FY-12CG1			258	152	21	760	39	34	39	3.6		
FY-14CG1			308	181	30	930	44.5	39	44.5	3.8		
FY-16CG1			Hi	495	291	49	1,080	50	43.5	50	5.3	Ø 150
			Lo	365	215	41	875	44.5	38	44.5		
FY-17CG1			Hi	763	449	87	920	51	46	51	8.8	
			Lo	640	377	74	815	47	42.5	47		
FY-19CG1			Hi	947	557	117	1,110	55.5	50.5	55.5	9.4	
			Lo	821	483	109	1,030	54	49	54		
FY-21CG1			Hi	1,420	836	240	1,325	61	57	61	15	
	Lo	1,260	742	220	1,230	59.5	56	59.5				
FY-21CT1	Hi	1,450	853	253	1,355	61.5	57.5	61.5	14.5			
	Lo	1,090	641	177	1,070	55.5	51.5	55.5				

Note: The value in Specification tables are representative characteristic value at 220V, 380V, 50Hz.  
R.P.M. data is for reference only, values may vary subject to different conditions.



# Mini Sirocco



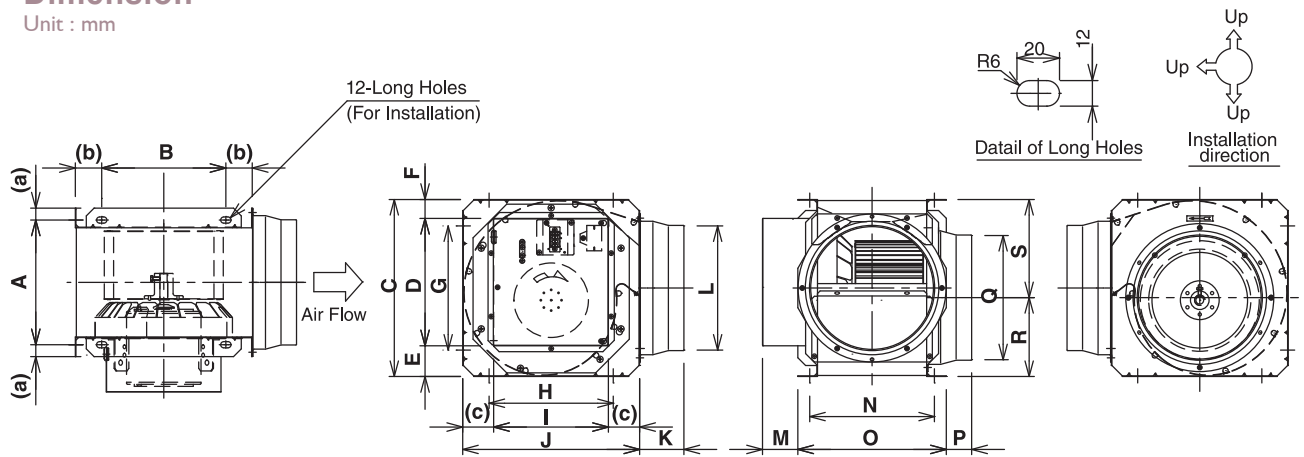
Single Phase:  
**FY-23CG2NT**

Three Phase:  
**FY-23CT2NT**  
**FY-25CT2NT**  
**FY-28CT2NT**

- Long life induction motor with thermal cut-off
- High efficiency sirocco fan employed for powerful airflow
- Outlet direction is adjustable to vertical or horizontal position
- Compact size
- Easy maintenance

## Dimension

Unit : mm



Model No.	A	B	C	D	E	F	G	H	I	J	K	L(∅)	M	N	O	P	Q(∅)	R	S	(a)	(b)	(c)
FY-23CG2NT	241	240	342	246	59	37	240	240	222	342	86	240	68	241	287	49	240	152	190	23	51	60
FY-23CT2NT	241	240	342	246	59	37	240	240	222	342	86	240	68	241	287	49	240	152	190	23	51	60
FY-25CT2NT	241	240	342	246	59	37	240	240	222	342	86	240	68	241	287	49	240	152	190	23	51	60
FY-28CT2NT	241	240	342	246	59	37	240	240	222	342	86	240	68	241	287	49	240	152	190	23	51	60

## Specification

	Model No.	Hz	Rate Volt [v]	Consumption [w]	Air Volume [m <sup>3</sup> /h]	Noise Level [dB(A)]			Net Weight [kg]
						Inlet	Side	Outlet	
Single Phase	FY-23CG2NT	50	220	381	1940	65.5	58.0	67.0	17.0
Three Phase	FY-23CT2NT	50	380	372	2110	66.0	58.5	67.5	17.0
	FY-25CT2NT	50	380	452	2360	68.5	61.5	70.5	18.5
	FY-28CT2NT	50	380	632	2630	69.5	62.5	71.5	24.0

### Notes :

1. Power consumption is expressed as open value.
2. Air volume is measured using the Chamber method (JIS C 9603) at 0 (mmWG) static pressure.
3. Noise : Suction side - Noise at 1.5m at suction side. Casing side - Noise 1.5m on the side of a machine body. Discharge side - Noise at 1.5m orthogonally at discharge side.

# Compact Axial



Single Phase:

**FY-25DSF2NET**  
**FY-28DSM2NET**  
**FY-35DSM2NET**

**FY-40DSL2NET**  
**FY-40DSH2NET**  
**FY-45DST2NET**

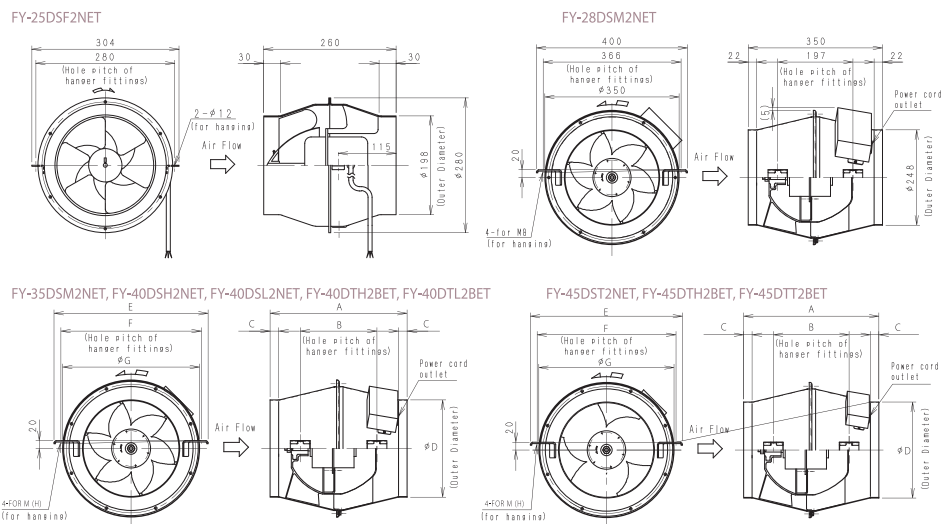
Three Phase:

**FY-40DTL2BET**  
**FY-40DTH2BET**

**FY-45DTT2BET**  
**FY-45DTH2BET**

## Dimension

Unit : mm



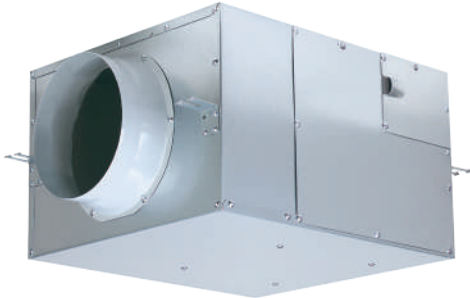
Model	A	B	C	D	E	F	G	H
FY-35DSM2NET	410	206	21.5	298	460	426	415	8
FY-40DSH2NET	480	206	26	347	525	491	480	8
FY-40DSL2NET	480	206	26	347	525	491	480	8
FY-40DTH2BET	480	206	26	347	525	491	480	8
FY-40DTL2BET	480	206	26	347	525	491	480	8
FY-45DST2NET	540	218	25.5	395	588	554	546	10
FY-45DTH2BET	540	218	25.5	395	588	554	546	10
FY-45DTT2BET	540	218	25.5	395	588	554	546	10

## Specification

Model	Phase	Voltage	Air Volume		Input (W)	Speed (rpm)	Noise (dB(A))			Weight (Kg.)	Duct Size (mm.)	
			CMH	CFM			Suction	Casing	Discharge			
FY-25DSF2NET	Hi	1	220	600	353	34	1,438	51	41	50.5	4.7	Ø 200
	Lo			550	324	27	1,418	49	39.5	48.5		
FY-28DSM2NET	Hi	1	220	1,194	703	51	1,290	54.5	44.5	54	8.5	Ø 250
	Lo			1,050	618	55	1,176	52	42	51.5		
FY-35DSM2NET	Hi	1	220	2,016	1,187	95	1,267	56.5	45.5	56	13	Ø 300
	Lo			1,782	1,048	87	1,189	54	43	53.5		
FY-40DSL2NET	Hi	1	220	3,228	1,899	204	1,303	68	56	67.5	20	Ø 350
	Lo			3,084	1,814	194	1,243	66	54	65.5		
FY-40DSH2NET	Hi	1	220	3,504	2,661	256	1,433	67.5	55.5	67	22	Ø 350
	Lo			3,444	2,026	233	1,382	65.5	53.5	65		
FY-45DST2NET	Hi	1	220	4,968	2,922	428	1,446	69.5	59.5	69.5	37	Ø 400
	Lo			4,206	2,474	398	1,420	68	58	68		
FY-40DTL2BET	Hi	3	380	3,396	1,998	241	1,383	68	56	67.5	18	Ø 350
	Lo			3,330	1,959	237	1,341	66	54	65.5		
FY-40DTH2BET	Hi	3	380	3,426	2,015	250	1,383	68	56	67.5	19	Ø 350
	Lo			3,264	1,920	220	1,343	67	55	66.5		
FY-45DTT2BET	Hi	3	380	5,004	2,944	421	1,435	71	61	71	36	Ø 400
	Lo			4,860	2,859	397	1,425	70.5	60.5	70.5		
FY-45DTH2BET	Hi	3	380	5,454	3,208	511	1,438	68.5	59	68.5	37	Ø 400
	Lo			5,250	3,088	482	1,427	68	58.5	68		

Note: The value in Specification tables are representative characteristic value at 220V, 380V, 50Hz.  
R.P.M. data is for reference only, values may vary subject to different conditions.

# Low Noise Type Cabinet Fan



Single Phase:

**FV-12NS3 / FV-20NS3**

**FV-15NS3 / FV-23NL3**

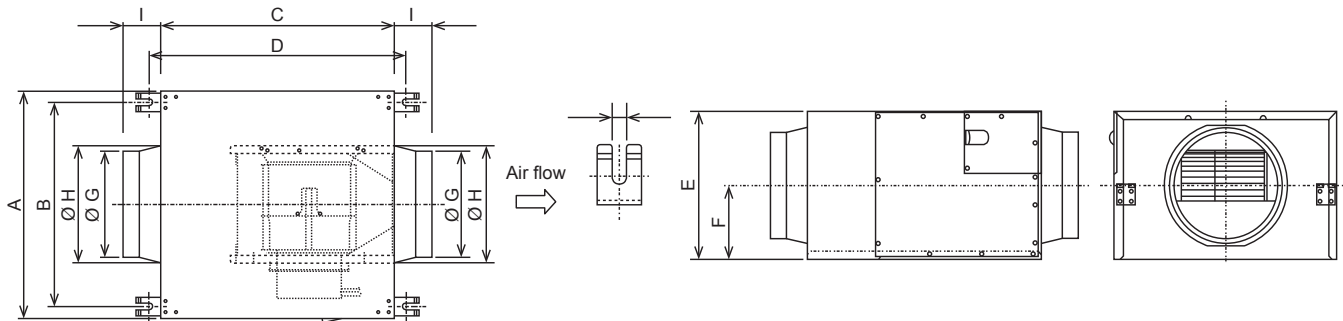
**FV-18NS3 / FV-25NS3**

**FV-18NF3 / FV-25NF3**

- Long life condenser motor with thermal cut-off
- Twin flow fan (sirocco fan)
- Fan casing with tapered scroll
- Embedded terminal box
- Noise absorption material adopted
- Compact size

## Dimension

Unit : mm



Model	A	B	C	D	E	F	G	H	I
FV-12NS3	290	250	291	335	184	92	97	112	51
FV-15NS3	290	250	302	346	206	103	145	163	60
FV-18NS3	316	276	338	382	232	116	145	163	60
FV-18NF3	376	336	397	441	254	127	195	211	70
FV-20NS3	416	376	441	485	272	136	195	211	70
FV-23NL3	468	424	469	513	298	149	195	211	70
FV-25NS3	494	450	505	549	334	167	240	255	85
FV-25NF3	494	450	505	549	334	167	240	255	85

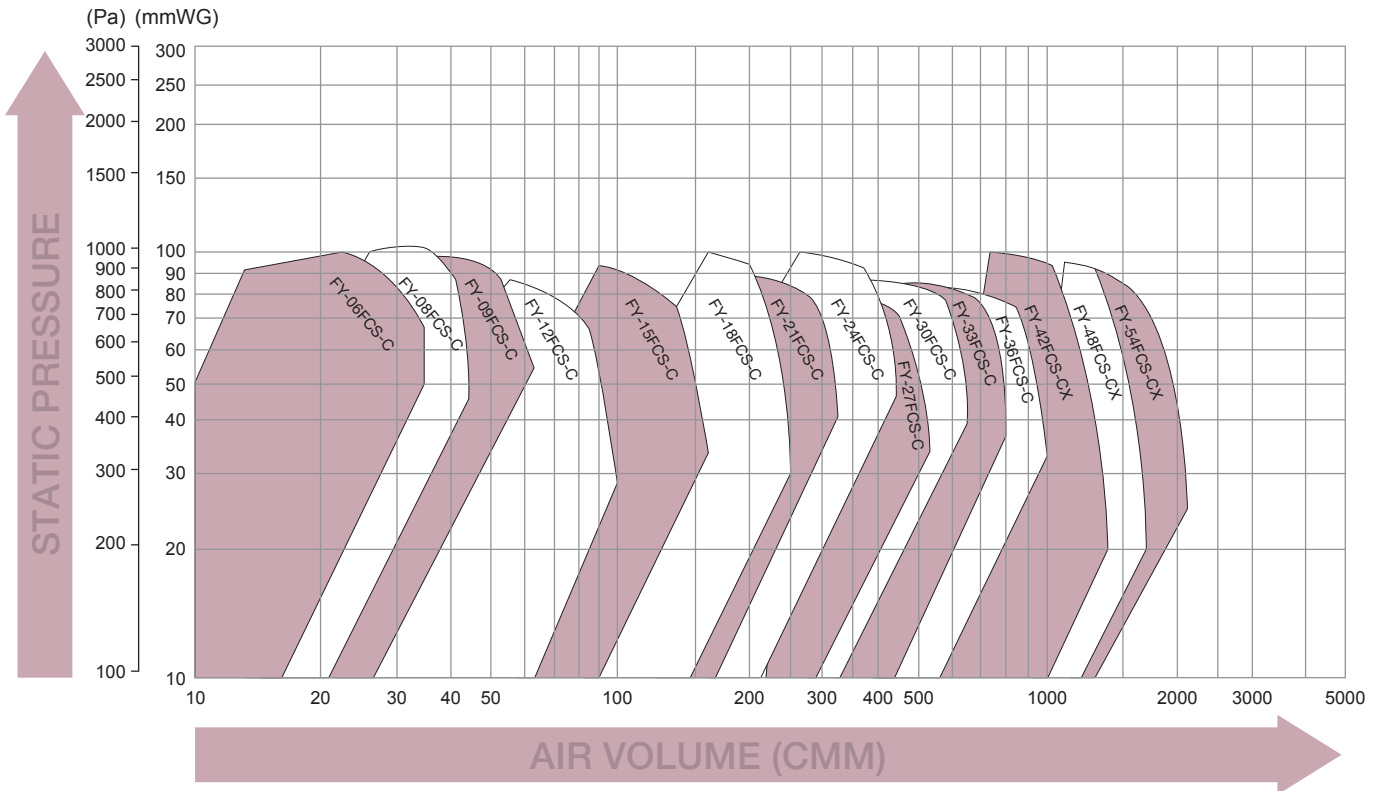
## Specification

Model	Phase	Voltage	Air Volume		Input (W)	Speed (rpm)	Noise (dB(A))	Weight (Kg.)	
			CMH	CFM					
FV-12NS3	Hi	1	220	180	106	18	1,265	21	5.5
	Lo			145	85	17	1,020	17	
FV-15NS3	Hi			340	200	33	1,270	25	6.5
	Lo			275	162	29.5	1,100	22	
FV-18NS3	Hi			500	294	60	1,250	29	8.5
	Lo			405	238	55	1,100	27	
FV-18NF3	Hi			770	453	91	1,190	31	10
	Lo			620	365	80	1,000	29	
FV-20NS3	Hi			920	541	120	1,195	32	14
	Lo			720	424	113	1,000	29	
FV-23NL3	Hi			1,200	706	230	1,245	40	18
	Lo			900	530	170	985	34	
FV-25NS3	Hi			1,700	1,001	345	1,125	41	24
	Lo			1,380	812	265	950	38	
FV-25NF3	Hi			1,900	1,118	390	1,225	43	24
	Lo			1,600	942	325	1,070	40	

# Forward Curve Single Inlet

## Centrifugal

### Selection Chart



### AVAILABLE MODELS

#### ● SWSI CENTRIFUGAL FAN (FORWARD CURVED BLADE)

Model	Wheel Dia.		Approx. Weight of Fan & Housing (kg.)	Approx. Air Volume	
	mm.	inch		CMH	CFM
FY-06FCS-C	160	6	17	1,284	755
FY-08FCS-C	202	8	19	1,758	1,034
FY-09FCS-C	254	9	23	2,526	1,486
FY-12FCS-C	302	12	42	3,564	2,097
FY-15FCS-C	382	15	60	5,646	3,322
FY-18FCS-C	464	18	105	9,330	5,491
FY-21FCS-C	529	21	145	11,796	6,942
FY-24FCS-C	621.6	24	180	15,552	9,152
FY-27FCS-C	686	27	285	20,994	12,355
FY-30FCS-C	762	30	330	25,920	15,254
FY-33FCS-C	838	33	415	31,362	18,456
FY-36FCS-C	915	36	490	37,326	21,966
FY-42FCS-CX	1,065	42	740	50,802	29,897
FY-48FCS-CX	1,220	48	890	66,354	39,049
FY-54FCS-CX	1,370	54	1,330	82,230	48,392



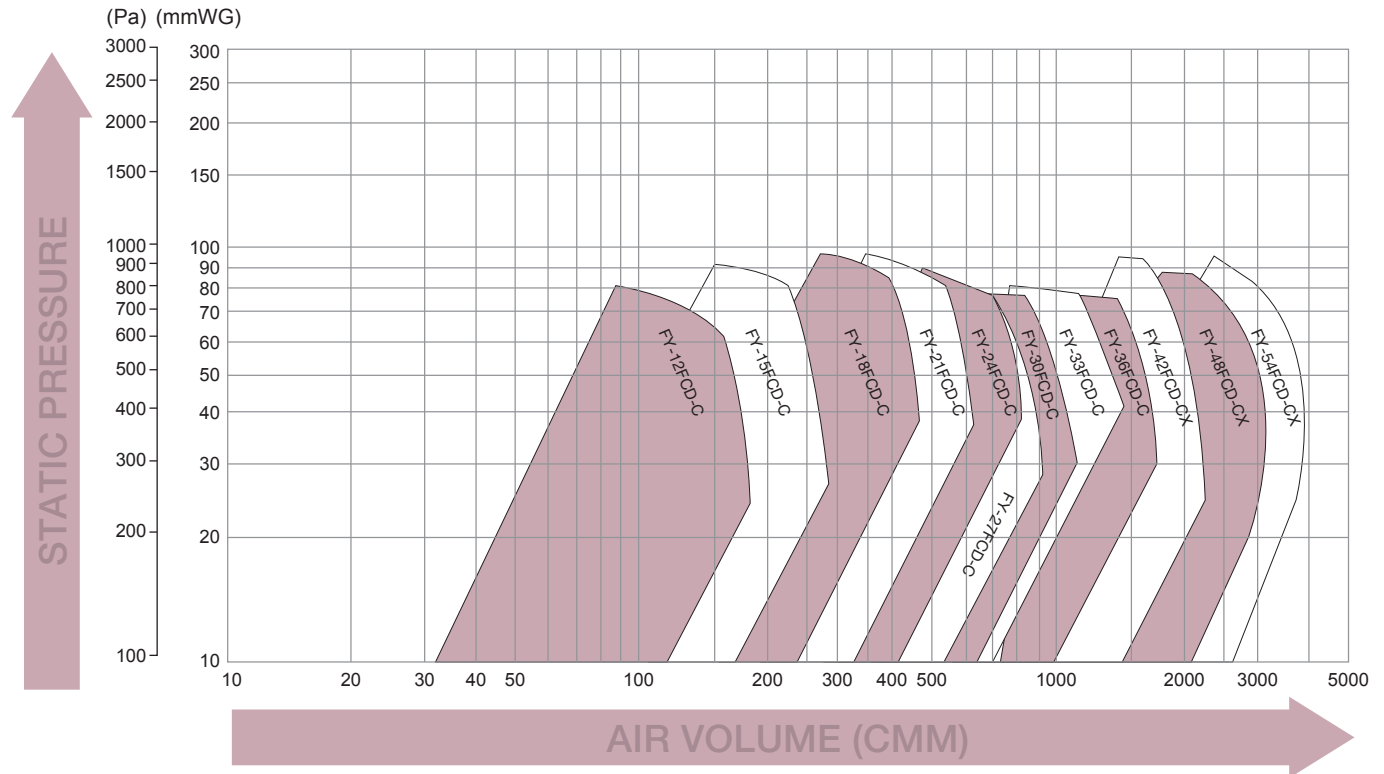
Type FCS

Remark : The approximate air value is measured at air velocity of 15 m/s.  
 "Approx Weight of Fan & Housing (kg.)" includes common base, motor base, angle vibration base and belt cover.

# Forward Curve Double Inlet

## Centrifugal

### Selection Chart



### AVAILABLE MODELS

#### ● DWDI CENTRIFUGAL FAN (FORWARD CURVED BLADE)

Model	Wheel Dia.		Approx. Weight of Fan & Housing (kg.)	Approx. Air Volume	
	mm.	inch		CMH	CFM
FY-12FCD-C	302	12	85	6,642	3,908
FY-15FCD-C	382	15	110	10,566	6,218
FY-18FCD-C	464	18	160	16,980	9,993
FY-21FCD-C	529.6	21	230	22,380	13,171
FY-24FCD-C	621.6	24	300	29,550	17,390
FY-27FCD-C	686	27	420	36,744	21,624
FY-30FCD-C	762	30	500	45,144	26,567
FY-33FCD-C	838	33	620	54,648	32,160
FY-36FCD-C	915	36	730	65,838	38,746
FY-42FCD-CX	1,065	42	1,120	84,066	49,473
FY-48FCD-CX	1,220	48	1,400	109,902	64,677
FY-54FCD-CX	1,370	54	2,050	149,994	88,271



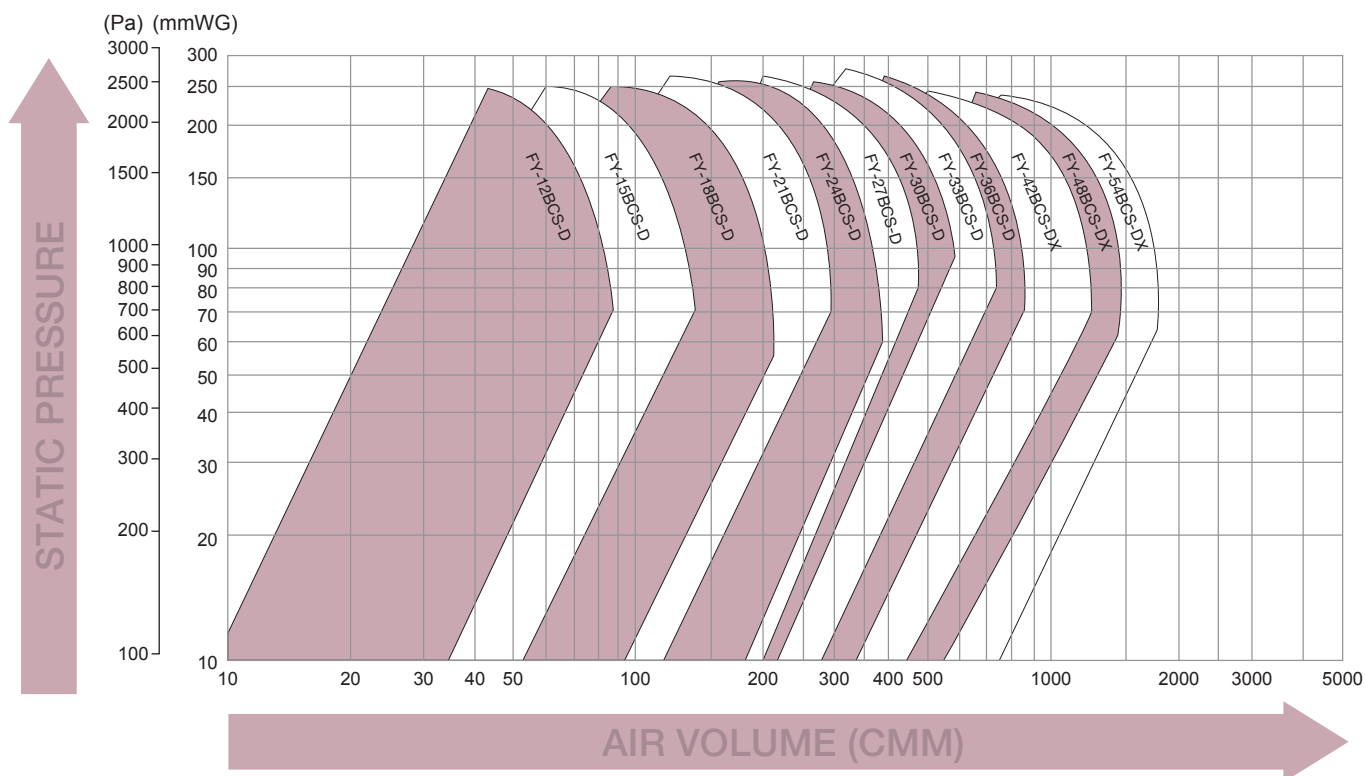
Type FCD

Remark : The approximate air value is measured at air velocity of 15 m/s.  
 "Approx Weight of Fan & Housing (kg.)" includes common base, motor base, angle vibration base and belt cover.

# Backward Curve Single Inlet

## Centrifugal

### Selection Chart



### AVAILABLE MODELS

#### ● SWSI CENTRIFUGAL FAN (BACKWARD CURVED BLADE)

Model	Wheel Dia.		Approx. Weight of Fan & Housing (kg.)	Approx. Air Volume	
	mm.	inch		CMH	CFM
FY-12BCS-D	310	12	75	4,404	2,591
FY-15BCS-D	390	15	90	6,690	3,937
FY-18BCS-D	467	18	115	9,330	5,491
FY-21BCS-D	545	21	160	12,702	7,475
FY-24BCS-D	623	24	205	16,590	9,763
FY-27BCS-D	701	27	310	20,994	12,355
FY-30BCS-D	778	30	360	25,920	15,254
FY-33BCS-D	856	33	460	31,362	18,458
FY-36BCS-D	934	36	560	37,326	21,966
FY-42BCS-DX	1,090	42	870	50,802	29,896
FY-48BCS-DX	1,245	48	1,110	66,354	39,049
FY-54BCS-DX	1,401	54	1,540	82,230	48,392



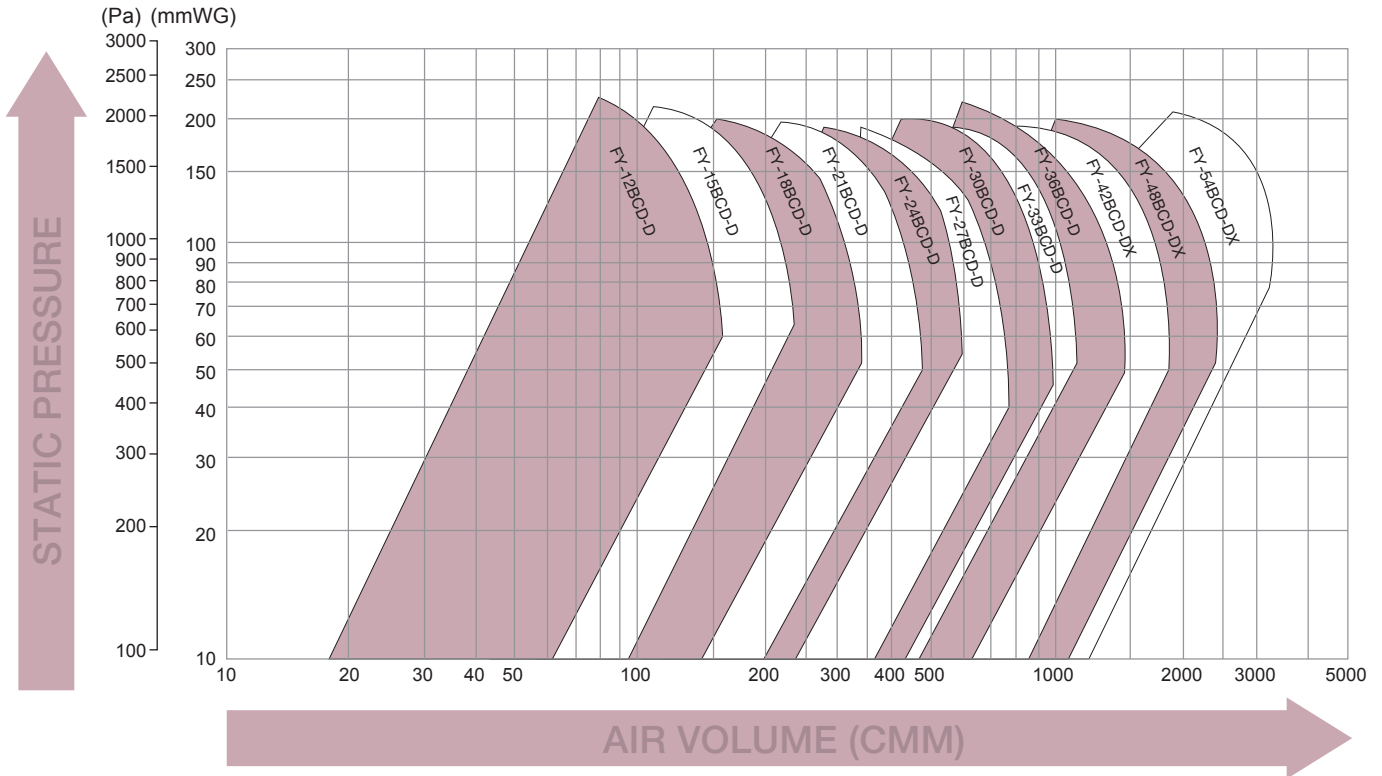
Type BCS

Remark : The approximate air value is measured at air velocity of 15 m/s.  
 "Approx Weight of Fan & Housing (kg.)" includes common base, motor base, angle vibration base and belt cover.

# Backward Curve Double Inlet

## Centrifugal

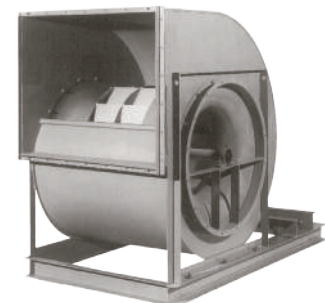
### Selection Chart



### AVAILABLE MODELS

#### ● DWDI CENTRIFUGAL FAN (BACKWARD CURVED BLADE)

Model	Wheel Dia.		Approx. Weight of Fan & Housing (kg.)	Approx. Air Volume	
	mm.	inch		CMH	CFM
FY-12BCD-D	310	12	90	7,344	4,322
FY-15BCD-D	390	15	115	11,598	6,825
FY-18BCD-D	467	18	170	16,200	9,534
FY-21BCD-D	545	21	235	22,074	12,990
FY-24BCD-D	623	24	300	28,686	16,882
FY-27BCD-D	701	27	490	34,992	20,593
FY-30BCD-D	778	30	570	43,416	25,550
FY-33BCD-D	856	33	720	52,272	30,762
FY-36BCD-D	934	36	890	61,692	36,306
FY-42BCD-DX	1,090	42	1,320	84,066	49,473
FY-48BCD-DX	1,245	48	1,820	109,902	64,677
FY-54BCD-DX	1,401	54	2,510	146,952	86,481



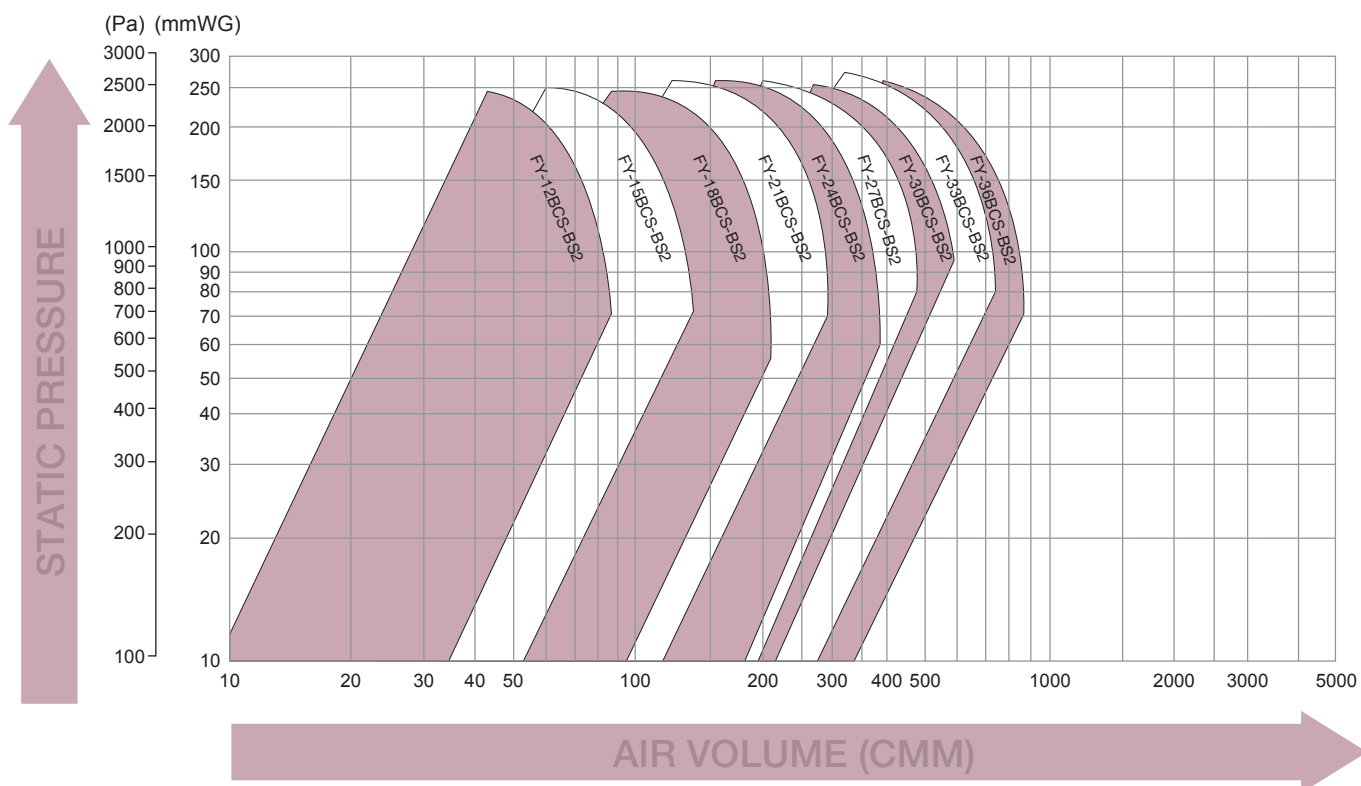
Type BCD

Remark : The approximate air value is measured at air velocity of 15 m/s.  
 "Approx Weight of Fan & Housing (kg.)" includes common base, motor base, angle vibration base and belt cover.

# Backward Curve Overhung Type

## Centrifugal

### Selection Chart



### AVAILABLE MODELS

#### ● SWSI CENTRIFUGAL FAN (BACKWARD CURVED BLADE)

Model	Wheel Dia.		Approx. Weight of Fan & Housing (kg.)	Approx. Air Volume	
	mm.	inch		CMH	CFM
FY-12BCS-BS2	310	12	124	4,404	2,592
FY-15BCS-BS2	390	15	150	6,690	3,938
FY-18BCS-BS2	467	18	191	9,330	5,491
FY-21BCS-BS2	545	21	225	12,702	7,476
FY-24BCS-BS2	623	24	330	16,590	9,765
FY-27BCS-BS2	701	27	494	20,994	12,357
FY-30BCS-BS2	778	30	560	25,920	15,256
FY-33BCS-BS2	856	33	655	31,362	18,459
FY-36BCS-BS2	934	36	820	37,326	21,969

Remark : The approximate air value is measured at air velocity of 15 m/s.  
 "Approx Weight of Fan & Housing (kg.)" includes common base, motor base, angle vibration base and belt cover.



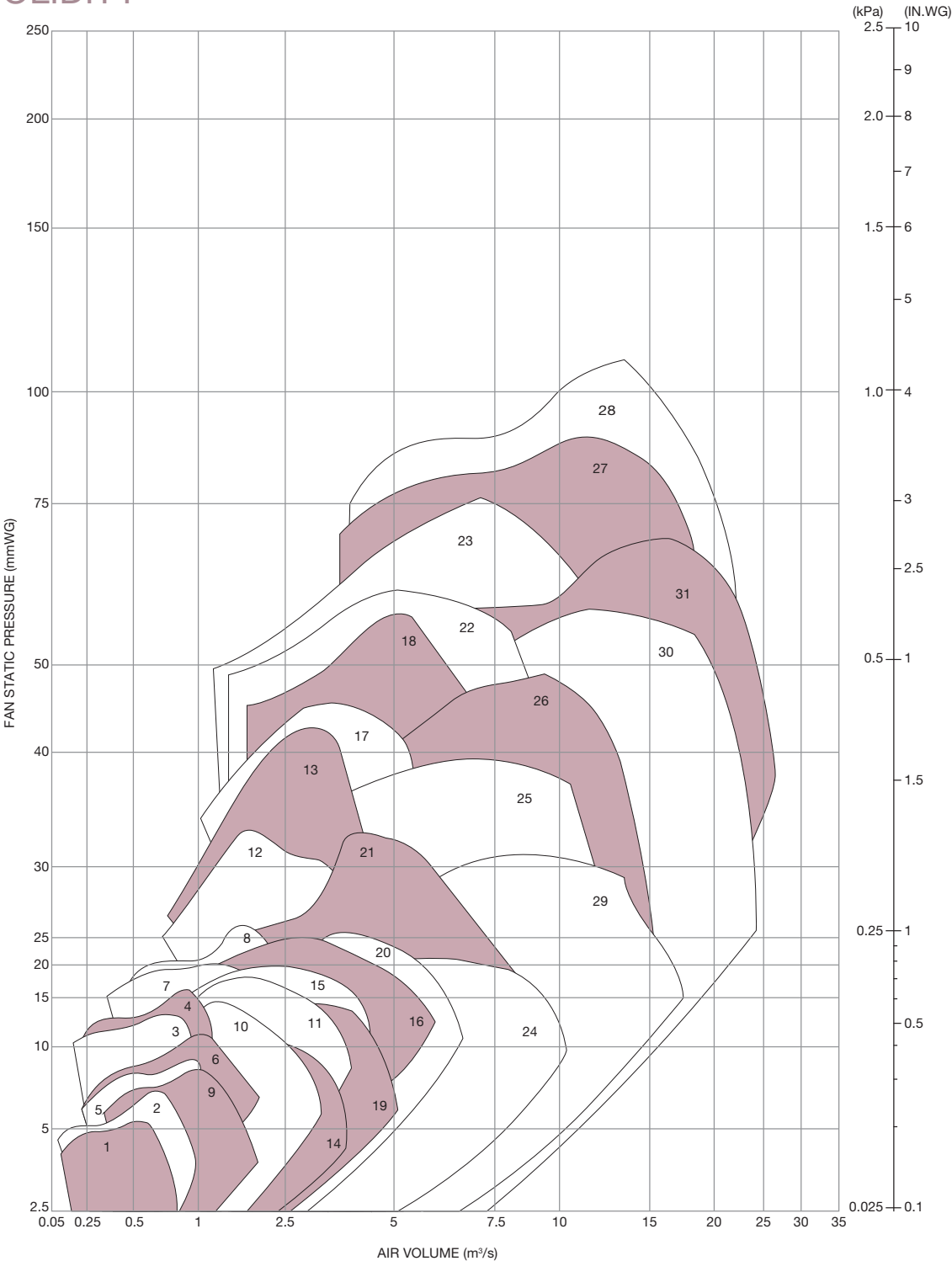
Type BCS Overhung



# Adjustable Pitch Axial Flow Fan



50 Hz  
Selection Chart  
FULL SOLIDITY



# Adjustable Pitch Axial Flow Fan

FY-80VDAG-6-9

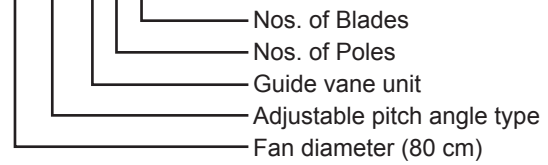
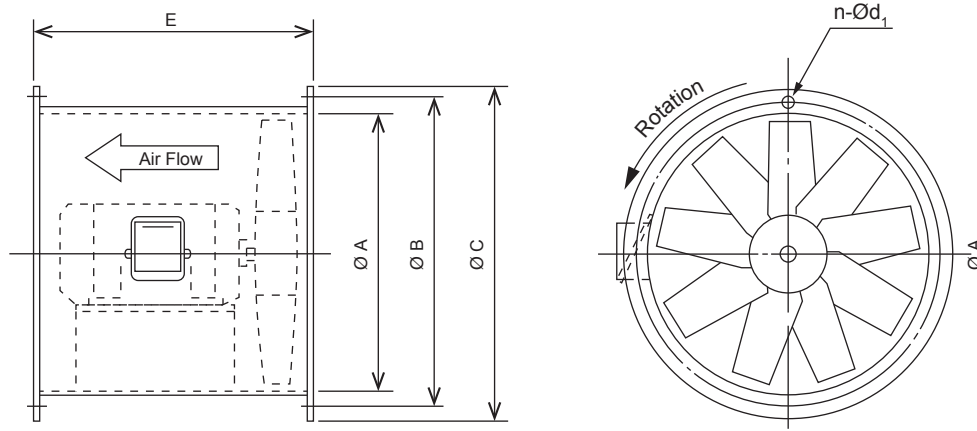


Chart No.	Model	Dia. (mm.)	Speed (rpm)	Pitch angle	Output (kw)
1	FY-40VDA-6-7	400	960	4-36	0.37
2	FY-40VDAG-6-7	400	960	4-36	0.37
3	FY-40VDA-4-7	400	1,450	4-30	0.37
	FY-40VDA-4-7	400	1,450	32-36	0.37
4	FY-40VDAG-4-7	400	1,450	4-24	0.37
	FY-40VDAG-4-7	400	1,450	26-34	0.37
5	FY-50VDA-6-7	500	960	4-32	0.37
	FY-50VDA-6-7	500	960	34-36	0.37
6	FY-50VDAG-6-7	500	960	4-26	0.37
	FY-50VDAG-6-7	500	960	28-36	0.37
7	FY-50VDA-4-7	500	1,450	4-20	0.37
	FY-50VDA-4-7	500	1,450	22-34	0.75
8	FY-50VDAG-4-7	500	1,450	36	1.5
	FY-50VDAG-4-7	500	1,450	4-18	0.37
9	FY-50VDAG-4-7	500	1,450	20-26	0.75
	FY-50VDAG-4-7	500	1,450	28-36	1.5
10	FY-60VDA-8-9	600	730	4-28	0.37
	FY-60VDA-8-9	600	730	30-36	0.37
11	FY-60VDA-6-9	600	960	4-26	0.37
	FY-60VDA-6-9	600	960	28-36	0.75
12	FY-60VDAG-6-9	600	960	4-20	0.37
	FY-60VDAG-6-9	600	960	22-28	0.75
13	FY-60VDAG-6-9	600	960	30-36	1.5
	FY-60VDA-4-9	600	1,450	4-14	0.75
14	FY-60VDA-4-9	600	1,450	16-28	1.5
	FY-60VDA-4-9	600	1,450	30-36	2.2
15	FY-60VDAG-4-9	600	1,450	4-22	1.5
	FY-60VDAG-4-9	600	1,450	24-26	2.2
16	FY-60VDAG-4-9	600	1,450	28-34	3.7
	FY-70VDA-8-9	700	730	4-26	0.37
17	FY-70VDA-8-9	700	730	28-36	0.75
	FY-70VDA-6-9	700	960	4-22	0.75
18	FY-70VDA-6-9	700	960	24-36	1.5
	FY-70VDAG-6-9	700	960	4-18	0.75
19	FY-70VDAG-6-9	700	960	20-28	1.5
	FY-70VDAG-6-9	700	960	30-34	2.2
20	FY-70VDAG-6-9	700	960	36	3.7
	FY-70VDA-4-9	700	1,450	4-14	1.5
21	FY-70VDA-4-9	700	1,450	16-20	2.2
	FY-70VDA-4-9	700	1,450	22-30	3.7
22	FY-70VDA-4-9	700	1,450	32-36	5.5
	FY-70VDAG-4-9	700	1,450	4-10	1.5
23	FY-70VDAG-4-9	700	1,450	12-16	2.2
	FY-70VDAG-4-9	700	1,450	18-22	3.7
24	FY-70VDAG-4-9	700	1,450	24-28	5.5
	FY-70VDAG-4-9	700	1,450	30-34	7.5
25	FY-70VDA-4-9	700	1,450	4-10	1.5
	FY-70VDA-4-9	700	1,450	12-16	2.2
26	FY-70VDA-4-9	700	1,450	18-22	3.7
	FY-70VDA-4-9	700	1,450	24-28	5.5
27	FY-70VDAG-4-9	700	1,450	4-10	1.5
	FY-70VDAG-4-9	700	1,450	12-16	2.2
28	FY-70VDAG-4-9	700	1,450	18-22	3.7
	FY-70VDAG-4-9	700	1,450	24-28	5.5
29	FY-70VDAG-4-9	700	1,450	30-34	7.5
	FY-70VDAG-4-9	700	1,450	4-10	1.5
30	FY-70VDAG-4-9	700	1,450	12-16	2.2
	FY-70VDAG-4-9	700	1,450	18-22	3.7
31	FY-70VDAG-4-9	700	1,450	24-28	5.5
	FY-70VDAG-4-9	700	1,450	30-34	7.5

Chart No.	Model	Dia. (mm.)	Speed (rpm)	Pitch angle	Output (kw)
19	FY-80VDA-8-9	800	730	4-26	0.75
	FY-80VDA-8-9	800	730	28-36	1.5
20	FY-80VDA-6-9	800	960	4-22	1.5
	FY-80VDA-6-9	800	960	24-30	2.2
21	FY-80VDAG-6-9	800	960	34-36	3.7
	FY-80VDAG-6-9	800	960	4-18	1.5
22	FY-80VDAG-6-9	800	960	20-24	2.2
	FY-80VDAG-6-9	800	960	26-32	3.7
23	FY-80VDAG-6-9	800	960	34-36	5.5
	FY-80VDA-4-9	800	1,470	4-18	2.2
24	FY-80VDA-4-9	800	1,470	10-16	3.7
	FY-80VDA-4-9	800	1,470	18-24	5.5
25	FY-80VDA-4-9	800	1,470	26-30	7.5
	FY-80VDA-4-9	800	1,470	32-36	11
26	FY-80VDAG-4-9	800	1,470	4-6	2.2
	FY-80VDAG-4-9	800	1,470	8-12	3.7
27	FY-80VDAG-4-9	800	1,470	14-18	5.5
	FY-80VDAG-4-9	800	1,470	20-22	7.5
28	FY-80VDAG-4-9	800	1,470	24-28	11
	FY-80VDAG-4-9	800	1,470	30-34	15
29	FY-100VDA-8-12	1000	730	4-24	2.2
	FY-100VDA-8-12	1000	730	26-36	3.7
30	FY-100VDA-6-12	1000	985	4-8	3.7
	FY-100VDA-6-12	1000	985	20-24	5.5
31	FY-100VDA-6-12	1000	985	26-32	7.5
	FY-100VDA-6-12	1000	985	34-36	11
32	FY-100VDAG-6-12	1000	985	4-14	3.7
	FY-100VDAG-6-12	1000	985	16-20	5.5
33	FY-100VDAG-6-12	1000	985	22-24	7.5
	FY-100VDAG-6-12	1000	985	26-30	11
34	FY-100VDA-4-12	1000	1,470	4-6	5.5
	FY-100VDA-4-12	1000	1,470	8-10	7.5
35	FY-100VDA-4-12	1000	1,470	12-16	11
	FY-100VDA-4-12	1000	1,470	18-20	15
36	FY-100VDA-4-12	1000	1,470	22-24	18.5
	FY-100VDA-4-12	1000	1,470	26-28	22
37	FY-100VDA-4-12	1000	1,470	30-36	30
	FY-100VDAG-4-12	1000	1,470	4-6	5.5
38	FY-100VDAG-4-12	1000	1,470	8	7.5
	FY-100VDAG-4-12	1000	1,470	10-14	11
39	FY-100VDAG-4-12	1000	1,470	16-18	15
	FY-100VDAG-4-12	1000	1,470	20	18.5
40	FY-100VDAG-4-12	1000	1,470	22	22
	FY-100VDAG-4-12	1000	1,470	24-28	30
41	FY-120VDA-8-12	1200	730	4-24	5.5
	FY-120VDA-8-12	1200	730	26-32	7.5
42	FY-120VDA-6-12	1200	985	4-14	7.5
	FY-120VDA-6-12	1200	985	16-20	11
43	FY-120VDA-6-12	1200	985	22-26	15
	FY-120VDA-6-12	1200	985	28-32	18.5
44	FY-120VDA-6-12	1200	985	34-36	22
	FY-120VDAG-6-12	1200	985	4-12	7.5
45	FY-120VDAG-6-12	1200	985	14-16	11
	FY-120VDAG-6-12	1200	985	18-22	15
46	FY-120VDAG-6-12	1200	985	24	18.5
	FY-120VDAG-6-12	1200	985	26-28	22
47	FY-120VDAG-6-12	1200	985	30	30

# Adjustable Pitch Axial Flow Fan

## DIMENSIONS



## AVAILABLE MODELS

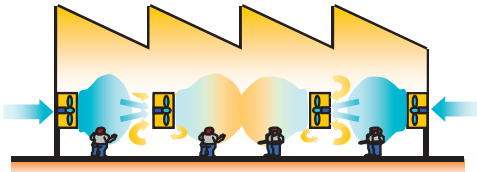
Model	Frame No.	Code No.	Output (kw)			Number of blade	A	B	C	E	n-d1	Weight (kg.)
			4P	6P	8P							
FY-40VDA	71	1	0.37	0.37	-	7	400	440	466	300	12-10.5	25
	90L	2	-	-	-	9				400		45
	112M	3	-	-	-	-				500		70
FY-50VDA	71	4	0.37	0.37	-	7	500	540	566	400	12-10.5	35
	80	5	0.75	0.37	0.37					40		
	90L	6	1.5	0.75	-	45						
	90L	7	-	-	-	65						
	112M	8	-	-	-	90						
FY-60VDA	132S	9	-	-	-	9,6,3	600	650	684	600	16-13.0	110
	80	10	0.75	0.37	0.37					50		
	90L	11	1.5	0.75	0.37	55						
	100L	12	2.2	1.5	0.75	65						
	112M	13	3.7	2.2	-	80						
	132S	14	-	-	-	150						
FY-70VDA	160M	15	-	-	-	9	700	750	784	700	16-13.0	210
	90L	16	1.5	0.75	0.37					70		
	100L	17	2.2	1.5	0.75	75						
	112M	18	3.7	2.2	1.5	9,6,3				500		95
	132S	19	5.5	3.7	-	110						
	132M	20	7.5	-	-	120						
	160M	21	-	-	-	250						
	160L	22	-	-	-	10				800		270
FY-80VDA	180M	23	-	-	-	9,6,3	800	850	885	800	16-13.0	325
	180L	24	-	-	-					345		
	100L	25	2.2	1.5	0.75	105						
	112M	26	3.7	2.2	1.5	125						
	132S	27	5.5	3.7	2.2	140						
	132M	28	7.5	5.5	-	155						
FY-100VDA	160M	29	11	7.5	-	9,6,3	1,000	1,065	1,109	700	24-13.0	220
	160L	30	15	-	-					235		
	132S	31	5.5	3.7	2.2	500				200		
	132M	32	7.5	5.5	3.7	500				215		
	160M	33	11	7.5	5.5	700				290		
	160L	34	15	11	7.5	700				315		
FY-120VDA	180M	35	18.5,22	15	-	12,8,6	1,200	1,265	1,309	700	24-13.0	395
	180L	36	30	18.5	-					420		
	160M	37	-	7.5	5.5	350						
	160L	38	-	11	7.5	390						
	200L	41	-	18.5,22	15	800				500		
			30	-	-	560						

# Fine Factory Fan



## Application Sample

1. Large sized area : Difficult for external air distribution to middle area

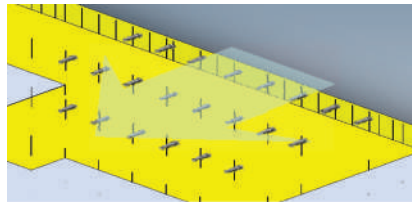
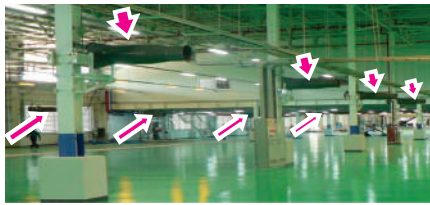


### Installed Sample

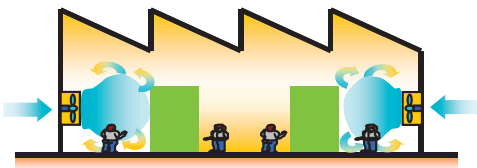
One-direction flow pattern for all internal factory area.

### Result

Air flows all over the factory, no still air.



2. Obstacle from machines : Difficult for air to flow due to obstructed machines.

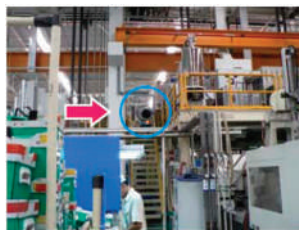


### Installed Sample

Air distribution to no wind area.

### Result

Bring in new fresh air to solve still air problem from obstacle from machine.



3. Heat load : Lot of heat inside the factory.



### Installed Sample

Heat solution by package of Cooling Pad + Fine Factory Fan + Ventilating Fan.

### Result

Create comfortable energy-saving in hot area.



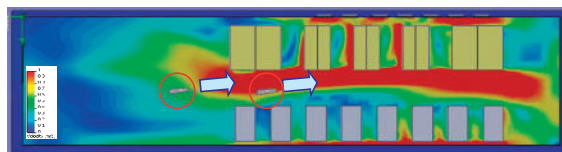
Cooling Pad



Ventilating Fan



Fine Factory Fan

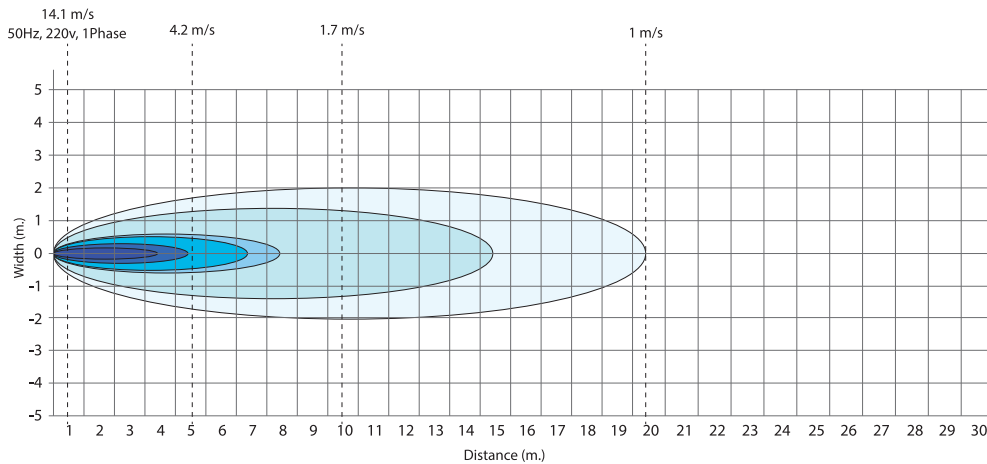


Installation based on air flow simulation

# Fine Factory Fan

## Model : FY-45DSL-SP

- Unique nozzle for long distance air distribution
- Narrow distribution, able to distribute strong wind by long distance

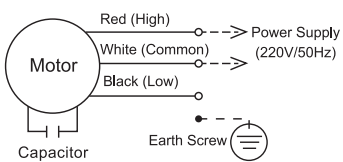


Remark :  
The diameter of  
air velocity at  
1 m/s is 4 m.

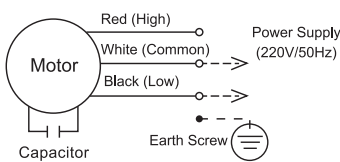
20	17	15	12	10	9	8	7	6	5	4	3	2	1	Longitudinal Coverage (m.)	
1	1.2	1.3	1.5	1.7	1.85	2.1	3	3.25	4.2	5.45	6.55	8.28	14.1	Attainment velocity of the wind (m/s)	Central Portion
	1.51	1.62	2.06	1.86	1.78	1.76	1.72	1.53	1.39	1.21	0.92	0.73	0.47	Velocity of the wind diffusion radius	1 m/s or more
			0.54	1.02	1.15	1.16	1.3	1.27	1.2	0.96	0.76	0.59	0.37		2 m/s or more
							0.42	0.61	0.65	0.67	0.41	0.39	0.3		3 m/s or more
								0.12	0.26	0.44	0.5	0.44	0.32		4 m/s or more
										0.18	0.36	0.34	0.29		5 m/s or more
											0.29	0.27	0.26	6 m/s or more	

### Wiring Diagram

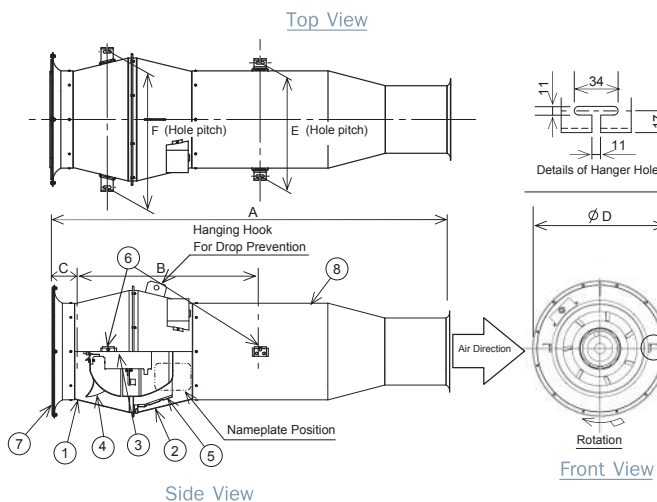
Speed : Hi



Speed : Low



### Dimension



### Specification

Model	FY-45DSL-SP
Installation Place	Indoor
Electricity Supply	220V/50
Air Volume	4,653 m <sup>3</sup> /h
Input	523 W
Current	2.38 A
Max. distance at 1m/s	20 m.
Weight	51 kg.
Noise Value	Side 62 dB(A)
	Intake Side 68 dB(A)
	Exhaust Side 68 dB(A)

### Dimension

Unit : mm.

Model	A	B	C	D	E	F
FY-45DSL-SP	1653	634	234	550	467	554

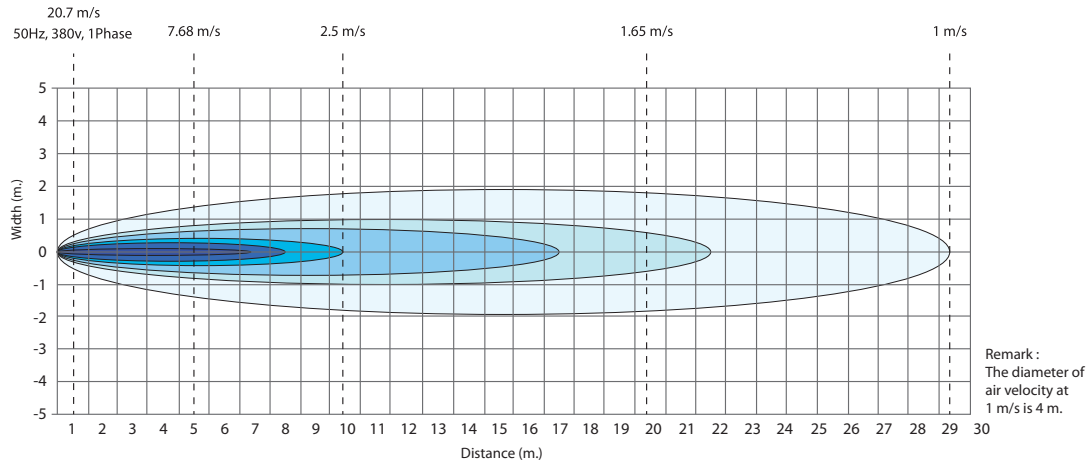
### List of Part Name

- |            |                   |
|------------|-------------------|
| ① Casing A | ⑤ Guide Vane      |
| ② Casing B | ⑥ Hanger Fittings |
| ③ Motor    | ⑦ Guard           |
| ④ Fan      | ⑧ Duct            |

# Fine Factory Fan

## Model : FY-55DTH-SP

- Unique nozzle for long distance air distribution
- Narrow distribution, able to distribute strong wind by long distance

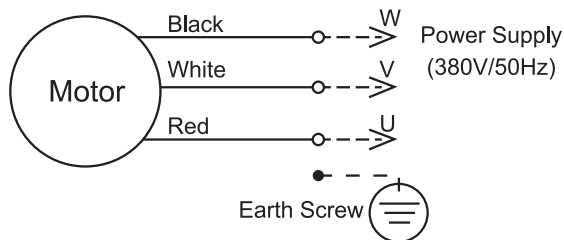


Longitudinal Coverage (m.)																		
30	25	22	20	17	15	12	10	9	8	7	6	5	4	3	2	1	Attainment velocity of the wind (m/s)	
1	1.42	1.53	1.65	1.84	2.15	2.32	2.53	3.21	4.78	5.76	6.22	7.68	10.6	12.5	16.6	20.7	Central Portion	Velocity of Wind
0.5	1.5	1.65	1.84	1.83	1.8	1.52	1.39	1.34	1.31	1.17	1.06	0.96	0.8	0.64	0.48	0.37	Velocity of the wind diffusion radius (m.)	1 m/s or more
			0.74	0.75	0.82	0.85	0.91	0.93	1.01	1.02	0.86	0.8	0.76	0.62	0.45	0.35		2 m/s or more
				0.54	0.65	0.69	0.73	0.74	0.84	0.72	0.68	0.64	0.6	0.42	0.34	3 m/s or more		
							0.4	0.46	0.49	0.52	0.51	0.5	0.49	0.4	0.29	4 m/s or more		
								0.31	0.34	0.36	0.38	0.42	0.38	0.24	0.22	5 m/s or more		
									0.16	0.26	0.31	0.39	0.24	0.22			6 m/s or more	

### Specification

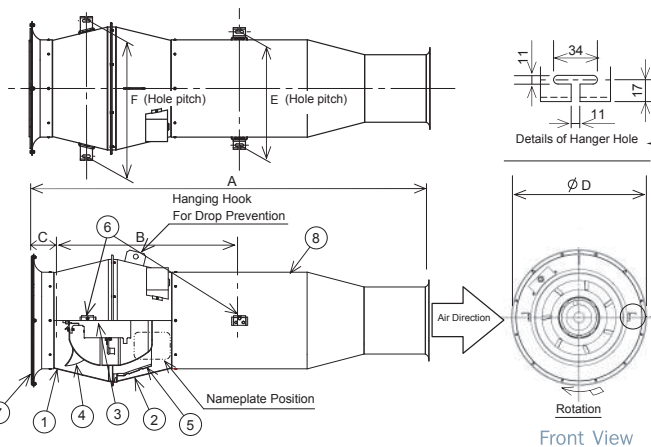
Model	FY-55DTH-SP	
Installation Place	Indoor	
Electricity Supply	380/3/50	
Air Volume	8,100 m <sup>3</sup> /h	
Input	1240 W	
Current	3.05 A	
Max. distance at 1m/s	30 m.	
Weight	68 kg.	
Noise Value	Side	69 dB(A)
	Intake Side	78 dB(A)
	Exhaust Side	78 dB(A)

### Wiring Diagram



### Dimension

#### Top View



### Dimension

Unit : mm.

Model	A	B	C	D	E	F
FY-55DTH-SP	1858	830	153	630	515	556

### List of Part Name

- |            |                   |
|------------|-------------------|
| ① Casing A | ⑤ Guide Vane      |
| ② Casing B | ⑥ Hanger Fittings |
| ③ Motor    | ⑦ Guard           |
| ④ Fan      | ⑧ Duct            |





Certificate No. 08/1291



Certificate No. TH08/1764.04



Certificate No. TH11/5763.04



พิก. 934-2558

Panasonic Life Solutions Sales (Thailand) Co.,Ltd.  
18th Fl. Silom Complex Bldg., 191 Silom Rd., Silom, Bangrak, Bangkok 10500  
Tel +66(0)2231-3683-7 Fax +66(0)2231-3688  
Specifications are subjected to change without prior notice.

Printed in Thailand  
P-VAME1019