



PROPELLER FANS
APN Series

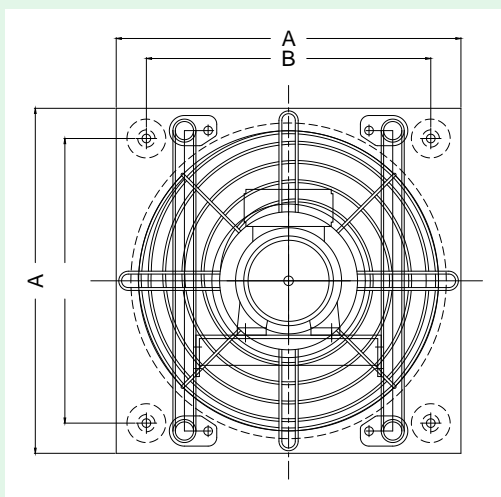
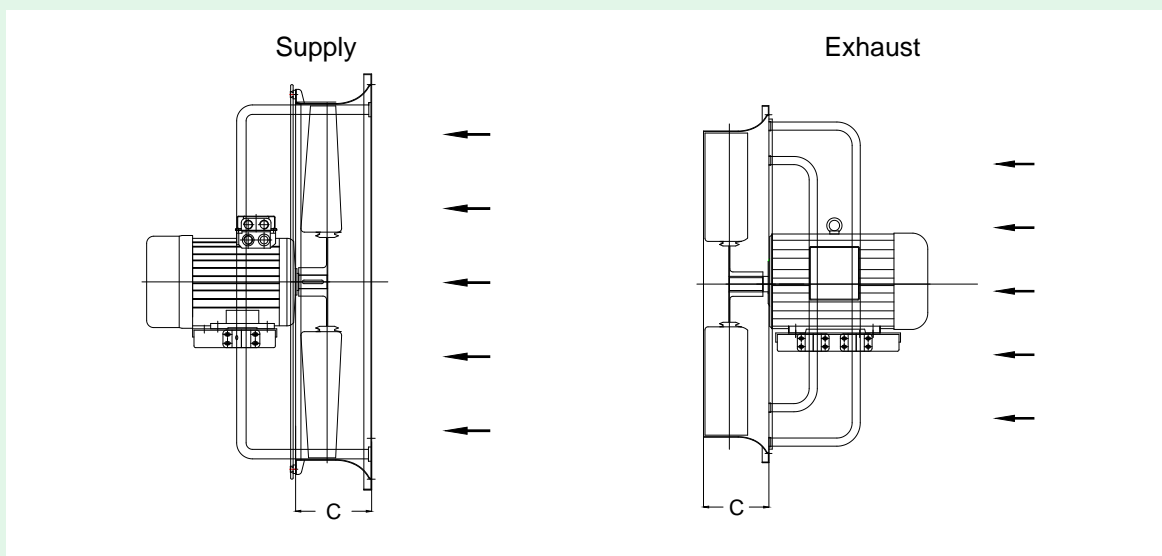


Propeller Fans – APN Series

KRUGER

- Propeller fan for wall or panel mounting with wall plate made of mild steel, with painted finish. Impeller having blades made of Glass Reinforced Polypropylene(PPG), Glass Reinforced Polyamide (PAG) or Aluminium.
- Totally enclosed Class "F" motor, to a min. IP54 protection are fitted as standard. Standard motor up to 2.2 kW are usually supplied on DOL starting, motor 3.0 kW and above are star/delta starting. Motors of other specification are available upon request.
- Statically and dynamically balanced to ISO 1940 standard.

Dimensions – 50Hz



Model	□A	□B	C
APN 315	400	330	75
APN 355	450	380	85
APN 400	500	420	90
APN 450	560	480	103
APN 500	630	560	105
APN 560	710	632.6	111
APN 630	800	710	112
APN 710	900	800	108
APN 800	968	910	170
APN 900	1070	1008	188
APN 1000	1170	1112	215

All the dimension in mm.

The company is always improving and developing its products, therefore the company reserves the right of making changes to the illustrated products. Certified dimension can be provided upon request.