

**TACME<sup>®</sup>**

— Ideal Ventilation Fans —

# COMPANY PROFILE

## Ideal Ventilation Fans

TACME was established in 1991 behind a commitment to bringing real value to residential and commercial projects in ventilation systems. Over the years, and with a history of achievement in many landmark projects, large and small, we have earned a solid reputation of trust and reliability among industry consultants, designers, engineers, and customers. TACME products are now an integral part of a vast array of air ventilation systems, with a loyal customer base of professionals who know and trust our product quality.

TACME products are designed, engineered, and produced for **superior performance**. Noted for **low-noise, efficient** energy use, and durability; they are 'products of choice' to meet client ergonomic and long-term sustainability goals in a wide variety of residential and commercial applications.

# CONTENTS

## Ceiling Mounted Fans

### Semimetal Series

CE 09M  
CE 12M  
CE 15M  
CE 18M  
CE 22M  
CE 32M

### Plastic Series

CE 09  
CE 10

## Wall Mounted Fans

### Square Series Without louver

WA 15  
WA 20  
WA 25  
WA 30

### Square Series With louver

WA 15L  
WA 20L  
WA 25L  
WA 30L

## Window Mounted Fans

### Circular Series

WI 15  
WI 20

## Mini Sirocco Fans

### Metal Type

CFD 15  
CFD 30  
CFD 45  
CFD 85  
CFD 100  
CFD 125

## High Pressure Fans

HAF 25  
HAF 30  
HAF 35  
HAF 40  
HAF 45  
HAF 50

## Air Curtains

AC 09  
AC 12  
AC 15

## Accessories

CEILING  
MOUNTED  
FANS

WALL  
MOUNTED  
FANS

WINDOW  
MOUNTED  
FANS

MINI SIROCCO  
FANS

HIGH PRESSURE  
FANS

AIR CURTAINS

ACCESSORIES

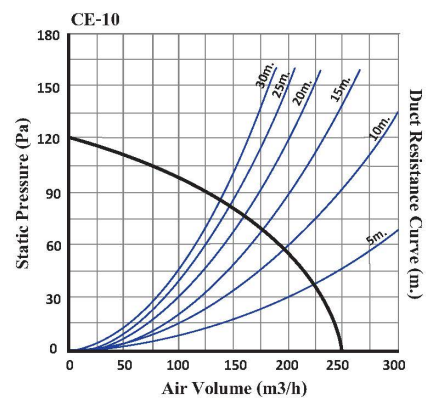
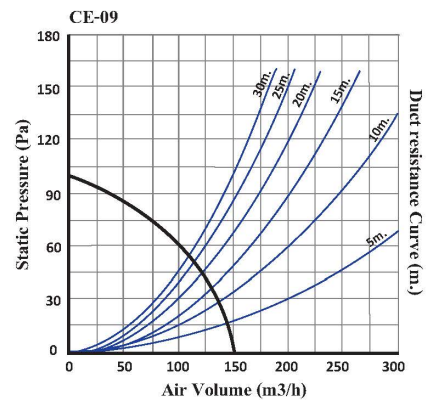
## PLASTIC SERIES



## SEMIMETAL SERIES



## PERFORMANCE DATA (PLASTIC SERIES)



High quality body material with hermetically designed structure

Ball bearing motor minimizing noise and maintenance free

High efficiency from engineering designed fan wheel

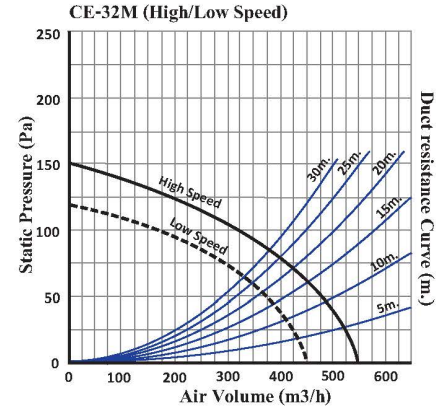
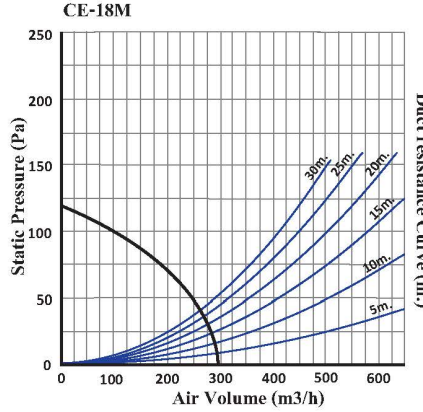
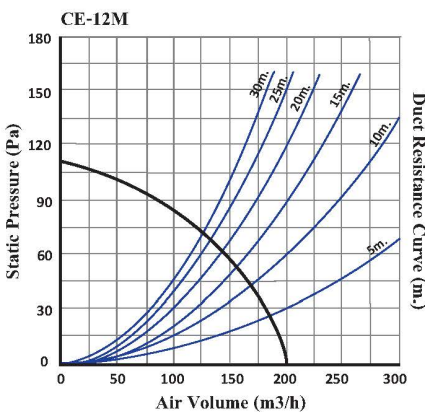
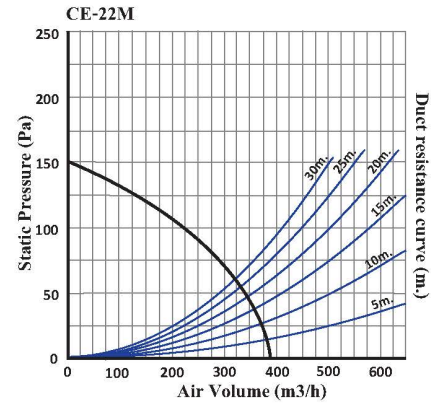
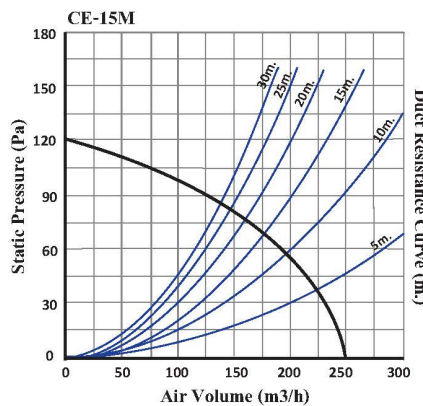
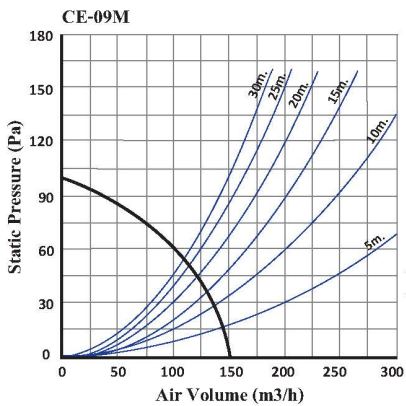
High quality louver material (ABS) with high toughness and anti-color changing

### SPECIFICATIONS

TYPE	MODEL	IMPELLER DIAMETER mm.	AIR VOLUME		INPUT (W)	SPEED RPM	POWER SUPPLY (V/PH/Hz)	NOISE dB(A) 1.5m	WEIGHT (kg)
			CFM	CMH					
SEMIMETAL SERIES	CE 09M	Ø210	88	150	25	1020	220/1/50	33	2.8
	CE 12M	Ø240	118	200	30	1020	220/1/50	35	3.2
	CE 15M	Ø240	147	250	35	1100	220/1/50	39	3.2
	CE 18M	Ø270	176	300	40	670	220/1/50	33	4.2
	CE 22M	Ø270	224	380	45	770	220/1/50	37	4.2
	CE 32M (Lo)	Ø320	265	450	45	710	220/1/50	37	5.6
	CE 32M (Hi)	Ø320	324	550	50	810	220/1/50	42	5.6
PLASTIC SERIES	CE 09	Ø210	88	150	25	1020	220/1/50	33	1.7
	CE 10	Ø240	147	250	35	1100	220/1/50	39	1.9

Note : The valves in specification table are representative characteristic valve at 220V, 50Hz.

### PERFORMANCE DATA (SEMIMETAL SERIES)



## CEILING MOUNTED FANS

## WALL MOUNTED FANS

## WINDOW MOUNTED FANS

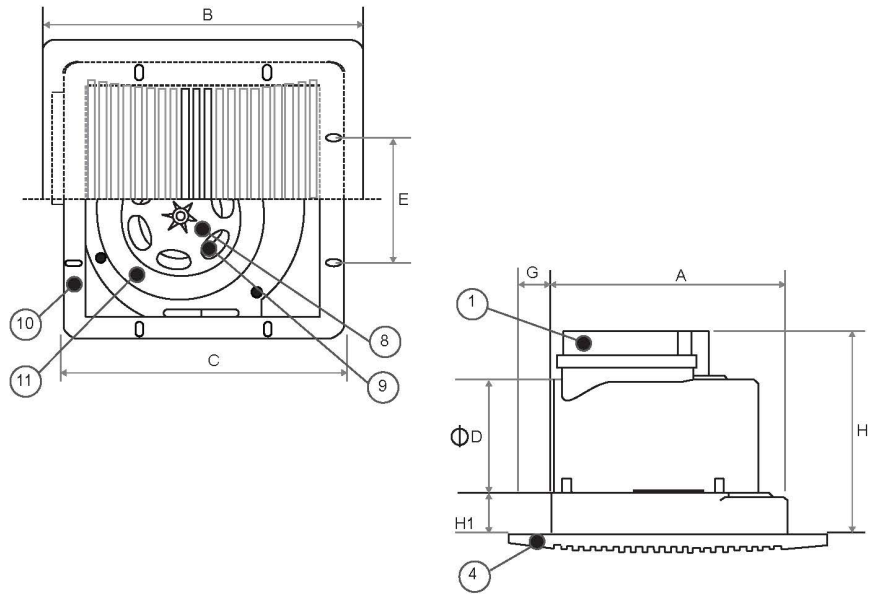
## MINI SIROCCO FANS

## HIGH PRESSURE FANS

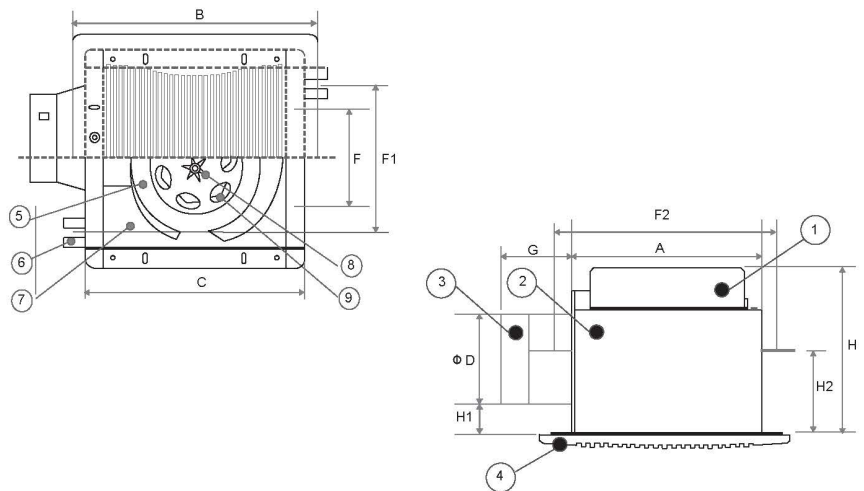
## AIR CURTAINS

## ACCESSORIES

### Plastic Series



### Semimetal Series

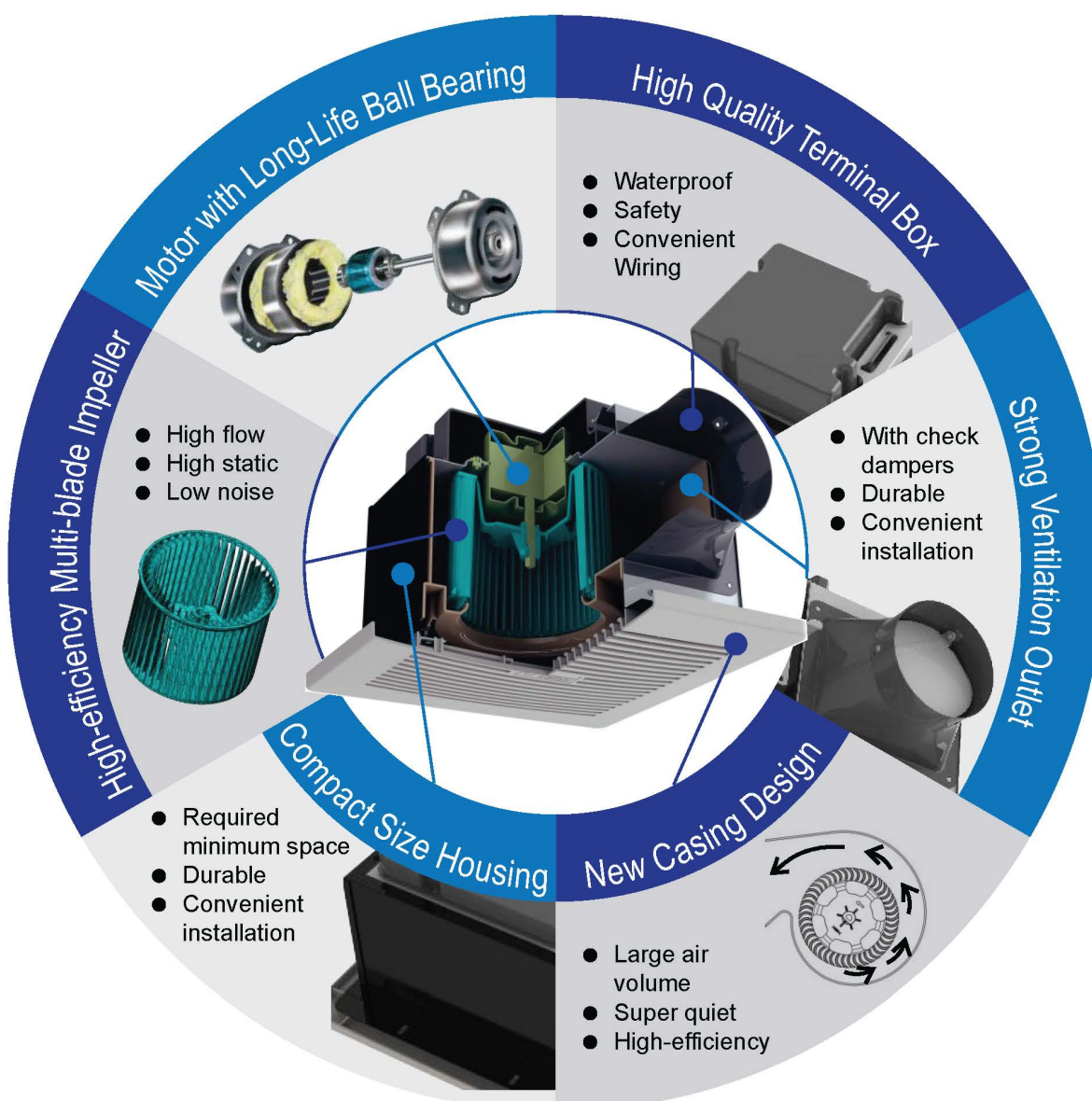


No.	Name of Parts
①	Terminal Box
②	Fan box
③	Air outlet
④	Louver
⑤	Spiral Casing
⑥	Lifting Lug for installation
⑦	Top Plate
⑧	Impeller
⑨	Motor
⑩	Frame of spiral casing
⑪	Air inlet

DIMENSIONS (Unit:mm.)

TYPE	MODEL	A	B	C	ØD	E	F1	F2	G	H	H1	H2	FRAME SIZE (mm.)
SEMIMETAL SERIES	CE 09M	205	275	246	100	110	168	300	80	185	35	93	215x215
	CE 12M	230	298	271	100	140	193	275	80	185	35	93	240x240
	CE 15M	230	298	271	100	140	193	275	80	185	35	93	240x240
	CE 18M	260	330	301	150	140	223	305	80	220	35	110	270x270
	CE 22M	260	330	301	150	140	223	305	80	220	35	110	270x270
	CE 32M (Lo/Hi)	310	380	351	150	190	273	355	80	220	35	110	320x320
PLASTIC SERIES	CE 09	205	275	241	100	110	-	-	22	180	35	-	215x215
	CE 10	234	298	270	100	140	-	-	22	180	35	-	240x240

Structure Chart of super quiet ceiling mounted Ventilation Fan



CEILING  
MOUNTED  
FANS

WALL  
MOUNTED  
FANS

WINDOW  
MOUNTED  
FANS

MINI SIROCCO  
FANS

HIGH PRESSURE  
FANS

AIR CURTAINS

ACCESSORIES



High quality with well designed structure



Compact & lightweight

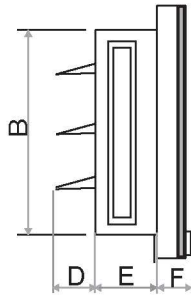
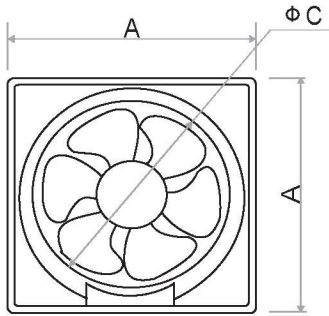
Dust proof & unique static resistance





## SPECIFICATIONS

PICTURE	SERIES	MODEL	IMPELLER Ø INCH	AIR VOLUME		INPUT (W)	SPEED RPM	POWER SUPPLY (V/PH/Hz)	NOISE dB(A)	WEIGHT (kg)
				CFM	CMH					
	Single-direction without louver	WA 15	6"	176	300	28	1300	220/1/50	39	2.2
		WA 20	8"	323	550	35	1300	220/1/50	41	2.6
		WA 25	10"	529	900	36	1300	220/1/50	42	3.2
		WA 30	12"	706	1200	48	1300	220/1/50	46	4.0
	Single-direction with louver	WA 15L	6"	176	300	28	1300	220/1/50	39	2.2
		WA 20L	8"	323	550	35	1300	220/1/50	41	2.6
		WA 25L	10"	529	900	36	1300	220/1/50	42	3.2
		WA 30L	12"	706	1200	48	1300	220/1/50	46	4.0



DIMENSIONS (Unit:mm.)

MODEL	A	B	ØC	D	E	F
WA 15,15L	245	200	150	54	75	52
WA 20,20L	295	250	200	80	90	52
WA 25,25L	345	300	250	63	90	38
WA 30,30L	400	350	300	78	90	38



CEILING  
MOUNTED  
FANS

WALL  
MOUNTED  
FANS

WINDOW  
MOUNTED  
FANS

MINI SIROCCO  
FANS

HIGH PRESSURE  
FANS

AIR CURTAINS

ACCESSORIES



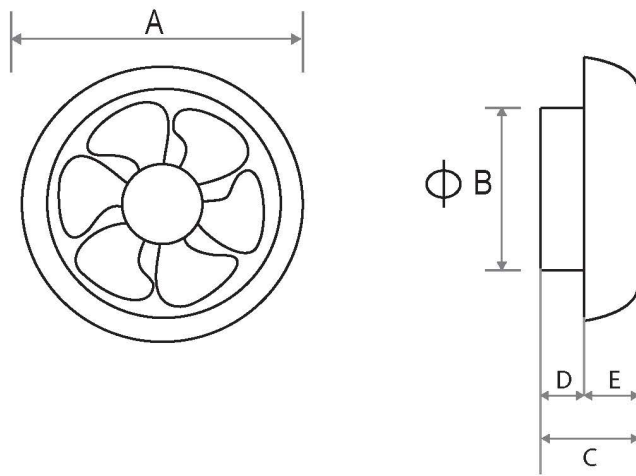
High quality with well designed structure

Compact & lightweight

Dust proof & unique static resistance

## SPECIFICATIONS

MODEL	IMPELLER Ø INCH	AIR VOLUME		INPUT (W)	SPEED RPM	POWER SUPPLY	NOISE dB(A)	WEIGHT (kg)
		CFM	CMH					
WI 15	6"	118	200	12	1400	220/1/50	40	0.9
WI 20	8"	176	300	18	1200	220/1/50	42	1.5



## DIMENSIONS (Unit:mm.)

MODEL	A	ØB	C	D	E
WI 15	208	187	97	54	43
WI 20	272	248	98	62	36



# TACME®

CEILING  
MOUNTED  
FANS

WALL  
MOUNTED  
FANS

WINDOW  
MOUNTED  
FANS

MINI SIROCCO  
FANS

HIGH PRESSURE  
FANS

AIR CURTAINS

ACCESSORIES



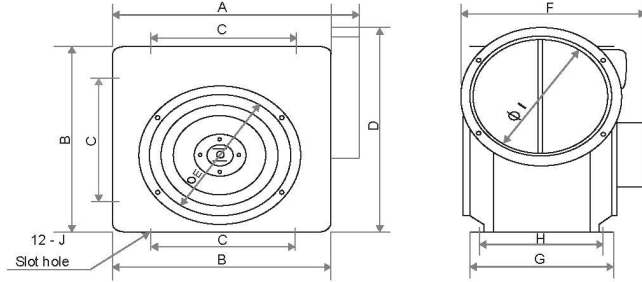


DIMENSIONS (Unit:mm.)

TYPE	MODEL	A	B	C	D	ØE	F	G	H	ØI	J Slot Hole (mm.)
METAL SERIES	CFD 15	210	180	130	210	100	180	126	106	100	20x6
	CFD 30	262	235	130	257	150	200	157	132	150	20x6
	CFD 45	280	250	160	280	150	220	165	138	150	20x6
	CFD 85	365	330	200	380	200	300	250	225	200	20x12
	CFD 100	365	330	200	380	200	330	250	225	200	20x12
	CFD 125	365	330	200	380	200	330	250	225	200	20x12

Electrophoresis finished metal frame, rustproof and anti-corrosion

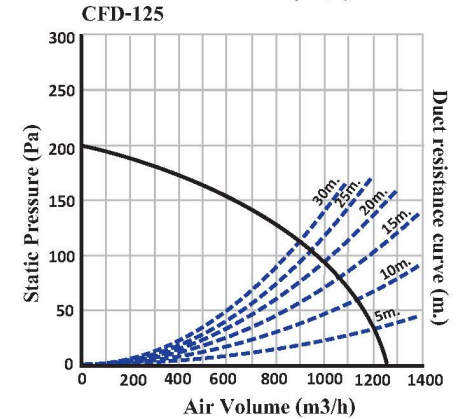
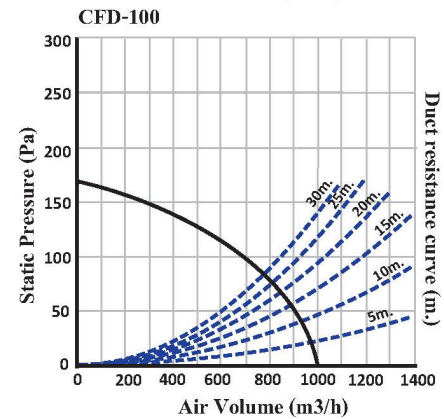
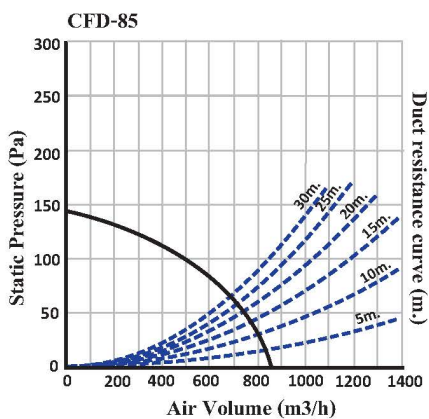
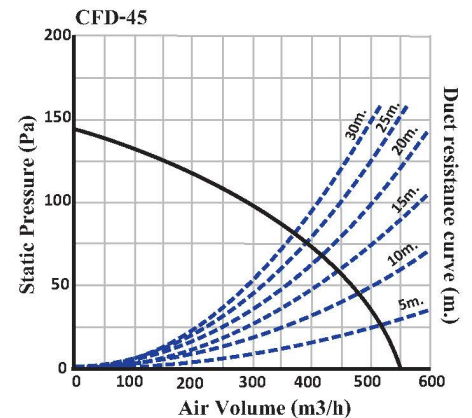
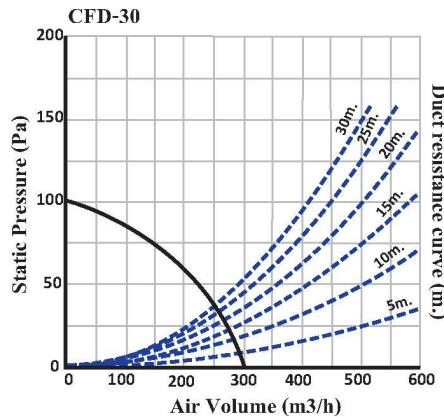
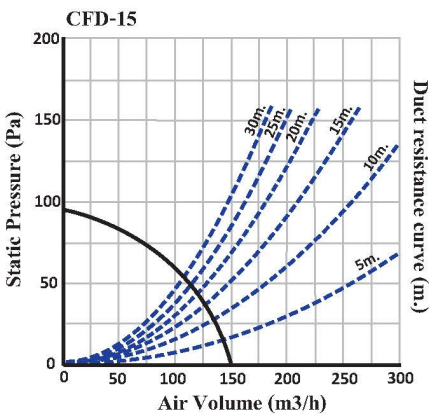
Well designed metallic fan wheel with environmental protection motor



SPECIFICATIONS

TYPE	MODEL	AIR VOLUME		STATIC PRESSURE (Pa)	INPUT (W)	SPEED RPM	POWER SUPPLY (V/PH/Hz)	NOISE dB(A)	WEIGHT (kg)
		CFM	CMH						
METAL SERIES	CFD 15	88	150	90	20	1400	220/1/50	40	3.0
	CFD 30	177	300	100	35	1000	220/1/50	42	4.2
	CFD 45	265	450	130	60	1150	220/1/50	46	5.0
	CFD 85	500	850	140	100	950	220/1/50	48	11.1
	CFD 100	588	1000	170	160	1250	220/1/50	50	11.1
	CFD 125	735	1250	200	250	1350	220/1/50	52	11.1

PERFORMANCE CURVE



CEILING  
MOUNTED  
FANS



WALL  
MOUNTED  
FANS



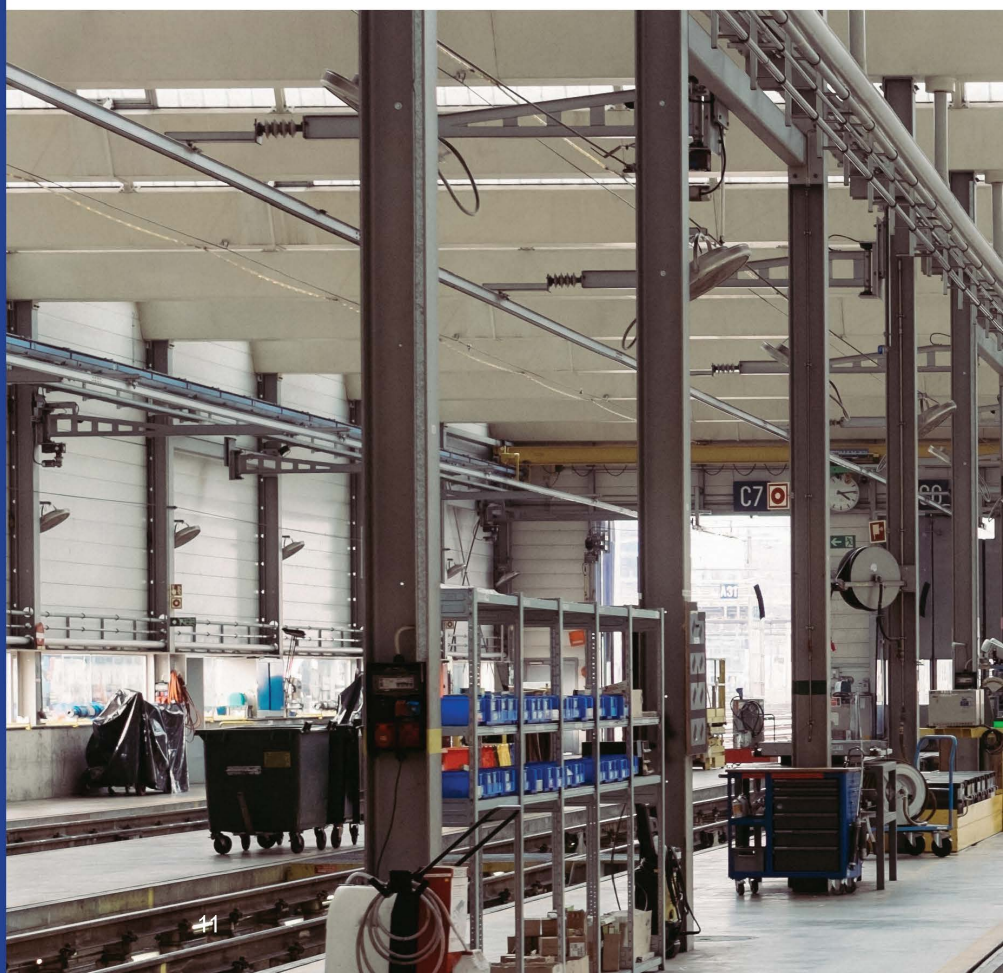
WINDOW  
MOUNTED  
FANS

MINI SIROCCO  
FANS

HIGH PRESSURE  
FANS

AIR CURTAINS

ACCESSORIES



Powerful ventilation and enable high static operation

Well designed for easy installation and space utilization

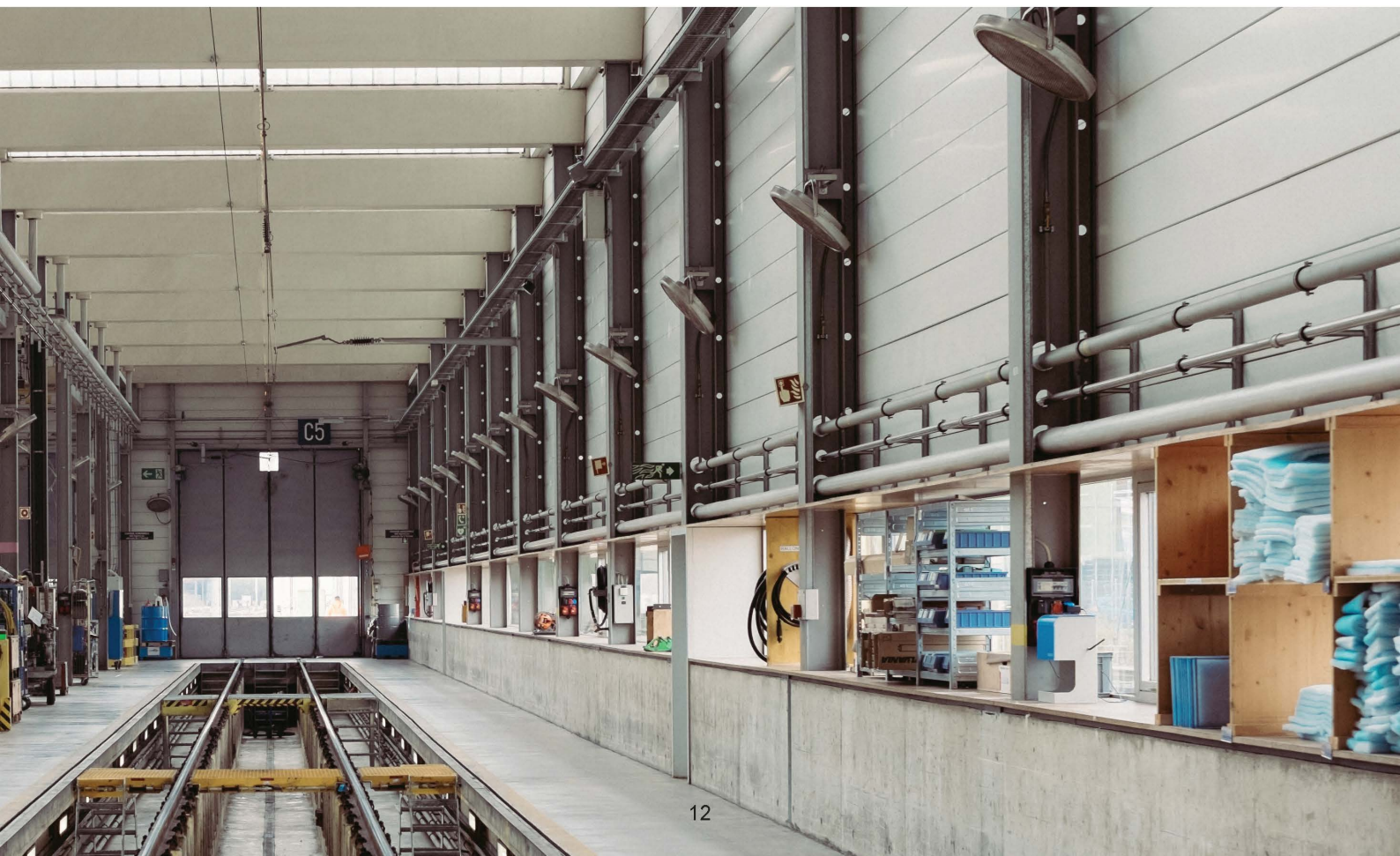
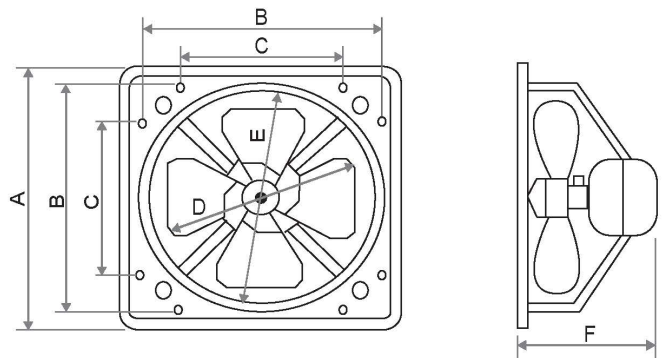
Rigid structure which reduces vibration and noise

### SPECIFICATIONS

MODEL	BLADE SIZE (mm.)	AIR VOLUME		INPUT (W)	SPEED RPM	POWER SUPPLY (V/PH/Hz)	NOISE dB(A)	WEIGHT (kg)
		CFM	CMH					
HAF 25	Ø250	530	900	50	1350	220/1/50	48	3.3
HAF 30	Ø300	940	1600	60	1350	220/1/50	49	4.6
HAF 35	Ø350	1340	2280	90	1350	220/1/50	49	6.2
HAF 40	Ø400	2235	3800	150	1350	220/1/50	50	8.5
HAF 45	Ø450	2940	5000	230	1200	220/1/50	52	10.5
HAF 50	Ø500	3410	5800	280	1200	220/1/50	55	13.2

### DIMENSIONS (Unit:mm.)

MODEL	A	B	C	D	E	F
HAF 25	328	300	204	250	270	150
HAF 30	375	345	208	300	318	170
HAF 35	450	420	270	350	385	180
HAF 40	520	486	282	400	430	230
HAF 45	590	552	348	450	486	250
HAF 50	650	602	400	500	546	270



CEILING  
MOUNTED  
FANS

WALL  
MOUNTED  
FANS

WINDOW  
MOUNTED  
FANS

MINI SIROCCO  
FANS

HIGH PRESSURE  
FANS

AIR CURTAINS

ACCESSORIES



Compact slim design which easy for installation and maintenance

Super silent wind wheel design for **powerful airflow & low noise**

Fire-proof metal casing, distortion & color change resistance

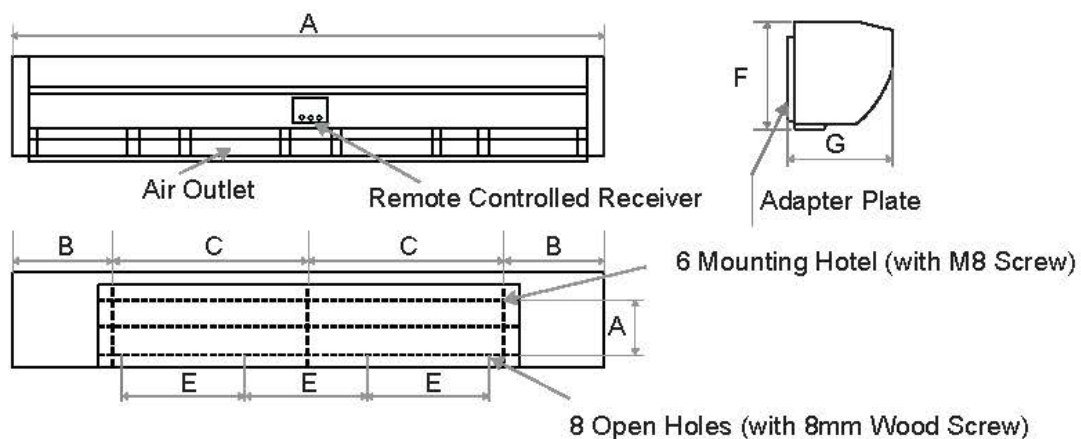
Double ball bearing motor with High quality solid lubricating oil for low noise, long life-time and maintenance free.





## SPECIFICATIONS

MODEL	BLADE SIZE (mm.)	DIMENSION (LxHxD) (cm.)	POWER SUPPLY (V/PH/Hz)	INPUT (W)	SPEED (RPM)	AIR VELOCITY (m/s)	AIR VOLUME (CMH)	NOISE dB(A)	WEIGHT (kg)
AC 09	Lo	900	90.3x22.2x21.2	220/1/50	230	2000	1250	55	14.6
	Hi	900	90.3x22.2x21.2	220/1/50	260	2200	1450	58	14.6
AC 12	Lo	1200	120.3x22.2x21.2	220/1/50	280	2000	1500	55	17.3
	Hi	1200	120.3x22.2x21.2	220/1/50	340	2200	1730	58	17.3
AC 15	Lo	1500	150.3x22.2x21.2	220/1/50	370	2000	1950	55	21.8
	Hi	1500	150.3x22.2x21.2	220/1/50	420	2200	2250	58	21.8



## DIMENSIONS (Unit:mm.)

MODEL	A	B	C	D	E	F	G
AC09	903	51.5	400	113	250	222	212
AC12	1,203	201.5	400	113	250	222	212
AC15	1,503	351.5	400	113	250	222	212

CEILING  
MOUNTED  
FANS

WALL  
MOUNTED  
FANS

WINDOW  
MOUNTED  
FANS

MINI SIROCCO  
FANS

HIGH PRESSURE  
FANS

AIR CURTAINS

ACCESSORIES



## Vibration Isolator

USH - A / USH - B / USH - C

- Spring hanger, effective isolation for low rpm equipment
- Installation friendly by mis-alignment allowance up to 30° arc



## Vibration Isolator

OSM - A / OSM - B / OSM - C

- Spring hanger, effective isolation for low rpm equipment
- Installation friendly by mis-alignment allowance up to 30° arc



## Air Grill

AG 4x4 / AG 6x6

- Stylish design suits with various styles of decoration
- With insect screen



## Flexible Duct

- 10 M. extension, convenience for ducting installation
- Available for 4", 6", 8" and 10" diameter



## Pipe Hood

PH04 / PH06

- Modern design and easy installation with spring clip
- Rust-proof stainless steel casing for rain protection
- Insect-proof for pipe hood with net

MODEL	SPECIFICATION	PRODUCT SIZE LxWxH (mm)	DUCT SIZE Ø (mm)	PACKING Q'ty (pcs/carton)	NET WEIGHT (kg/pc)
<b>SV100</b>	4 inch	150x150x120	100	18	0.12
<b>SV100/W</b>	4 inch with net	150x150x120	100	18	0.12
<b>SV120</b>	5 inch	150x150x120	125	18	0.16
<b>SV120/W</b>	5 inch with net	150x150x120	125	18	0.16
<b>SV150</b>	6 inch	190x190x140	150	4	0.24
<b>SV150/W</b>	6 inch with net	190x190x140	150	4	0.24



## Squared Inlet & Outlet

- Modern design and easy installation with spring clip
- Made from ABS
- With insect screen

MODEL	SPECIFICATION	PRODUCT SIZE LxWxH (mm)	DUCT SIZE Ø (mm)	PACKING Q'ty (pcs/carton)	NET WEIGHT (kg/pc)
<b>HGV100</b>	4 inch	150X150X40	100	44	0.11
<b>HGV120</b>	5 inch	200X200X60	125	12	0.19
<b>HGV150</b>	6 inch	200X200X60	150	12	0.20

The information in this catalogue ("Material") is provided "as is" and without warranty of any kind, expressed or implied, including (but not limited to) any implied **warranties of merchantability, fitness for any particular purpose**, or non-infringement of third party rights. While the information provided is believed to be accurate, it may include errors or inaccuracies. In no event shall TACME Company Limited be liable to any person for any special, indirect or consequential damages relating to this Material.

TACME CO.,LTD.  
367 Moo 4, Soi 8D (Soi Pattana 4)  
Tambon Prakasa, Amphur Muang, Samutprakarn 10280  
Tel: 0-2261-4843-5, 0-2261-4590-1  
Fax: 0-2259-8120  
Email: [sales@tacmefan.com](mailto:sales@tacmefan.com)  
[www.tacmefan.com](http://www.tacmefan.com)