



# *RCU-B Series*

**Upblast Centrifugal Roof Exhaust Fan**



# Upblast Centrifugal Roof Exhaust Fan – RCU-B



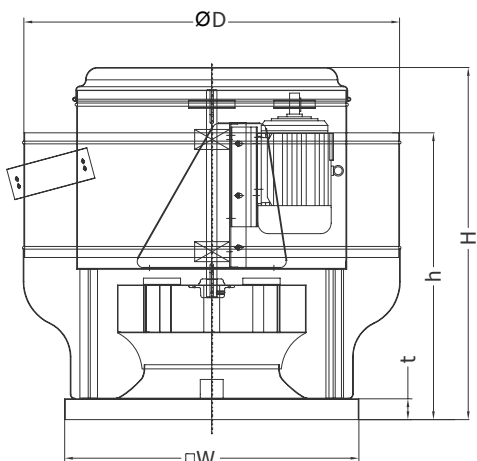
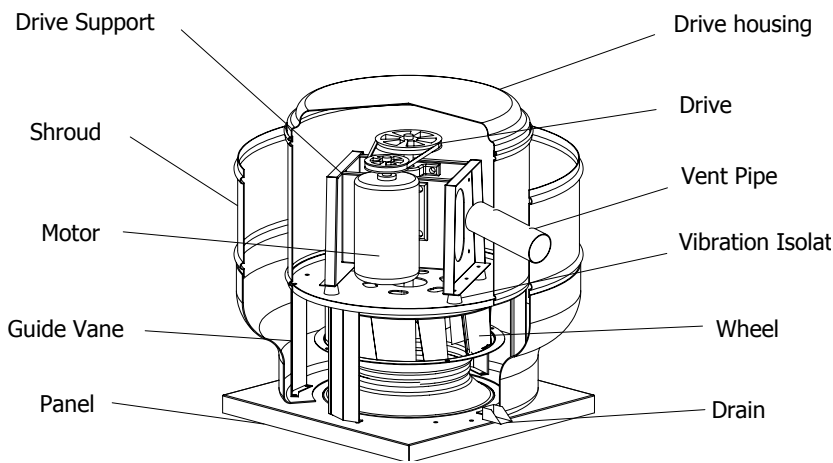
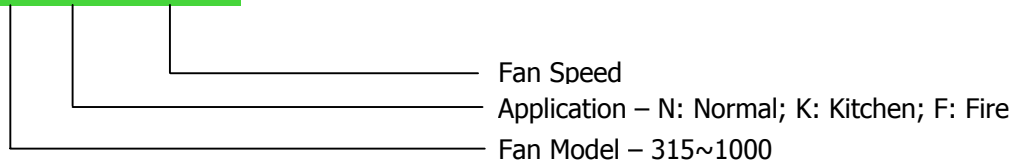
## Features

RCU-B roof exhaust fan is suitable for the removal of relatively clean air from buildings. Typical applications include kitchen exhaust, laboratory fume exhaust and commercial building ventilation.

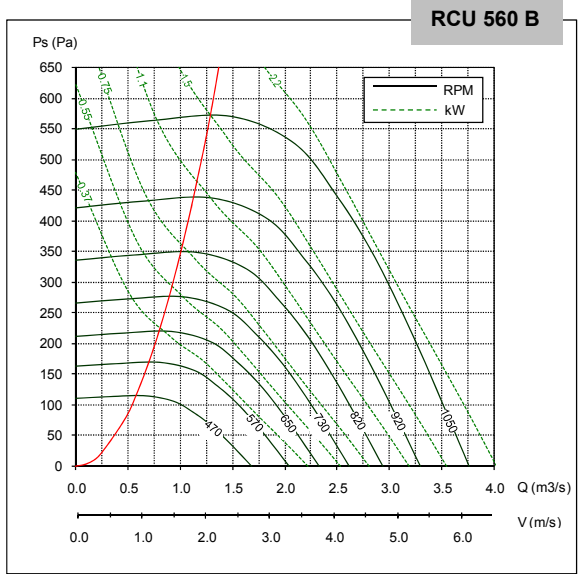
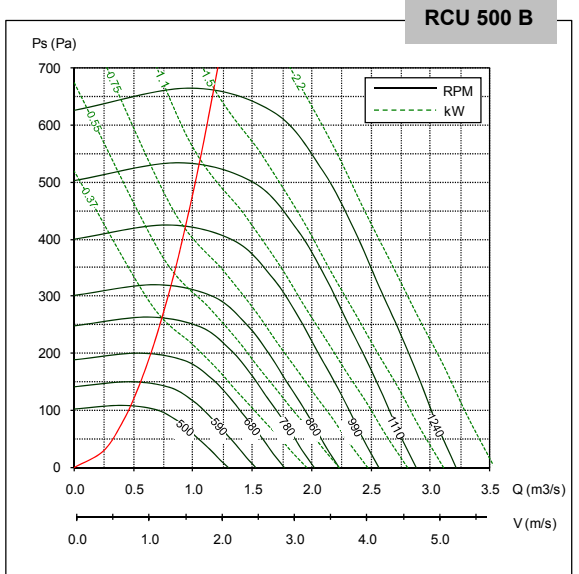
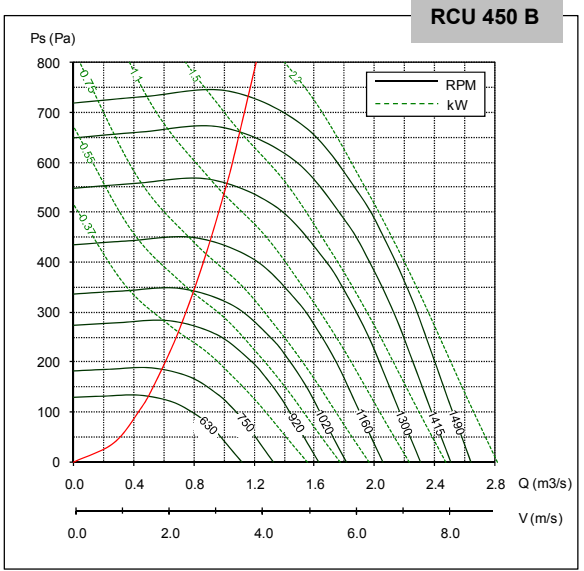
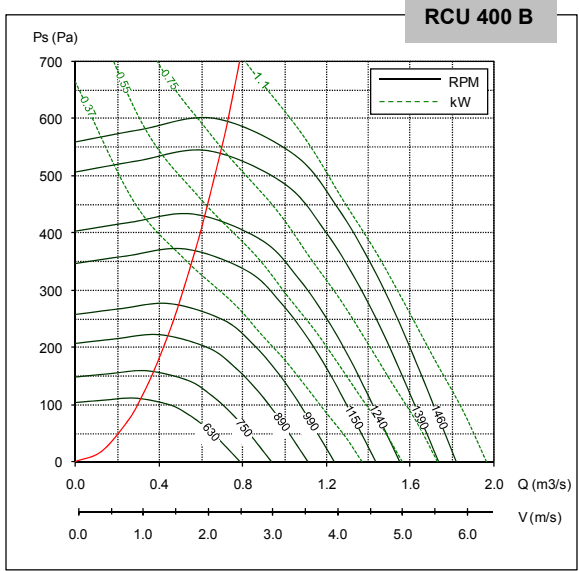
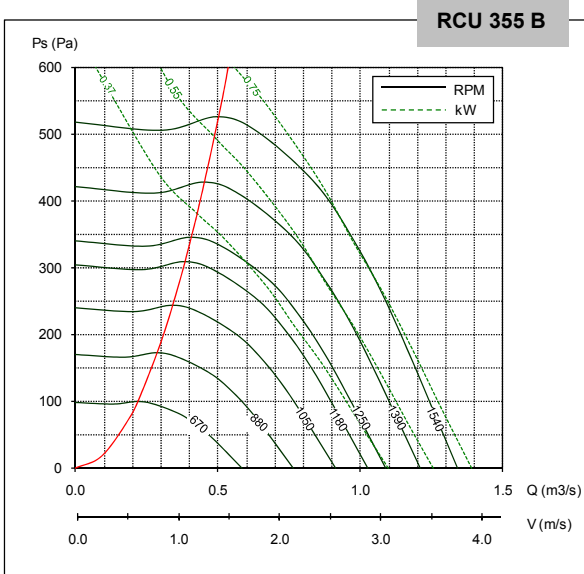
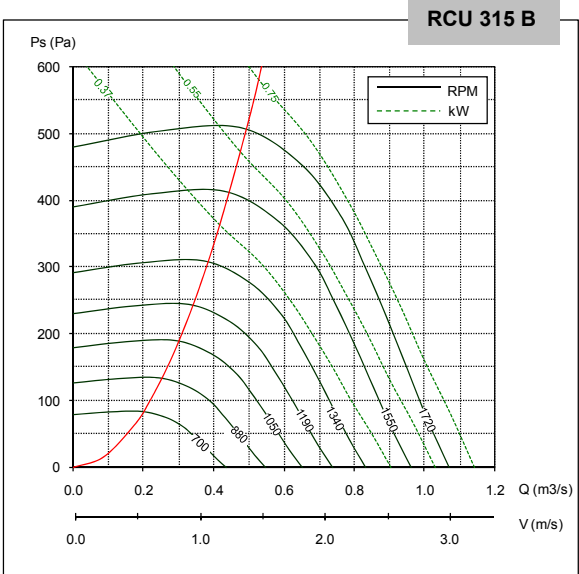
- A.** Enclosed motor compartment isolates motor and drive from exhaust air.
- B.** Aluminum alloy housing provides good appearance, light weight and weather resistance.
- C.** Spun shroud structure provides maximum air performance.

- D.** Motor base is adjustable for proper belt tension.
- E.** Non-overloading, backward inclined aluminum centrifugal wheel achieves high efficiency and minimum sound.
- F.** All wheels are statically and dynamically balanced to AMCA 204-G2.5 standard.
- G.** Reinforced guide vanes reduce turbulence and improve air performance.
- H.** Totally enclosed motor, IP54 protection with class F insulation.
- I.** Max air and fume stream temperature: 80°C.

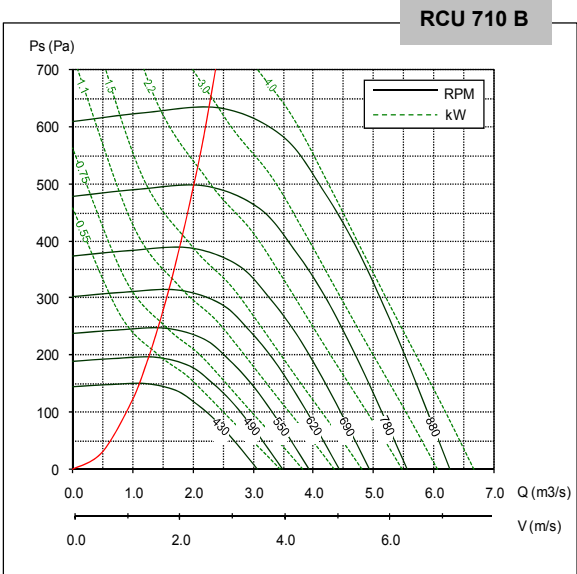
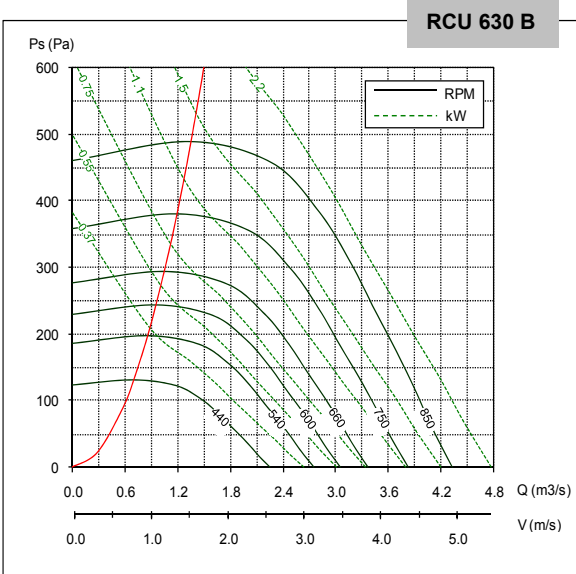
### MODEL: RCU\_\_ / \_\_-B / \_\_



MODEL	ØD	H	h	T	W
RCU 315-B	850	730	565	40	610
RCU 355-B	850	740	565	40	610
RCU 400-B	910	822	691	50	710
RCU 450-B	910	862	691	50	710
RCU 500-B	1200	953	755	50	914
RCU 560-B	1200	993	755	50	914
RCU 630-B	1520	1250	950	60	1090
RCU 710-B	1520	1300	950	60	1090



- Power rating kW does not include drive losses.



- Please contact the nearest Kruger office for selection of fan models RCU 800 B and above.