



RDM Series

Mixed Flow Roof FAN

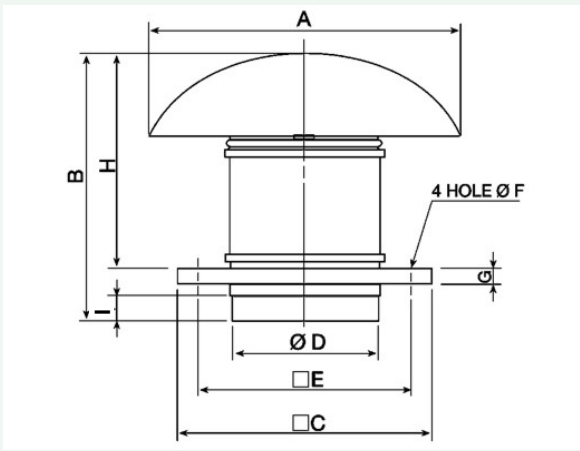


Mixed Flow Fans – RDM Series



- RDM Series are supplied for extract operation as standard. The motor and impeller casing can be removed and turned through 180° to provide supply air ventilation.
- RDM models 160 and 200 are manufactured from high strength injection moulded plastic and models 250 and 315 from high grade pressed sheet steel.
- Designed for direct connection to circular ducting.
- The base and cowl assembly are manufactured from sheet steel. All metallic parts are protected with a black epoxy-polyester weatherproof paint coating.
- All models incorporate a bird guard and base cable gland entry point.
- All models incorporate single phase external rotor with two speed motors, and with auto-reset thermal overload protection.
- Max temperature: + 60°C

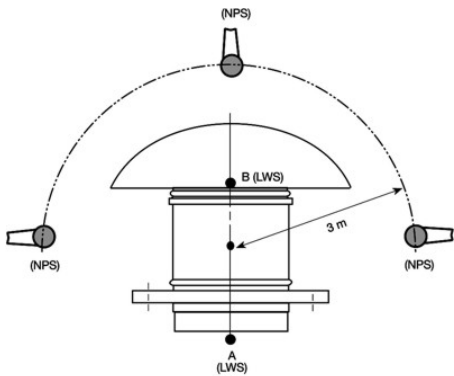
Dimensions



Model	A	B	C	D	E	F	G	H	I	Wt (kg)
RDM 160	400	339	300	160	245	10	20	274	33	3.8
RDM 200	400	371	300	198	245	10	20	306	36	5.6
RDM 250	546	457	435	248	330	12	20	372	42	11.2
RDM 315	735	544	560	312	450	12	20	450	50	17.2

All dimensions in mm.

Acoustic characteristics



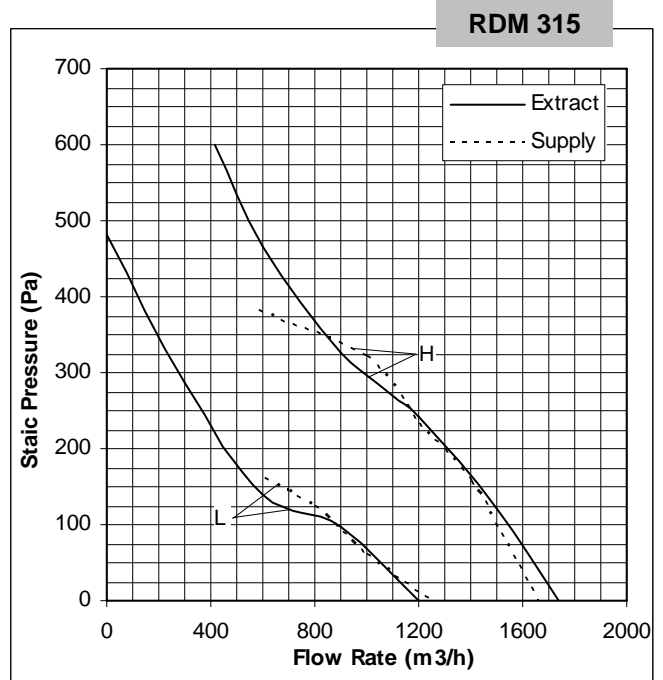
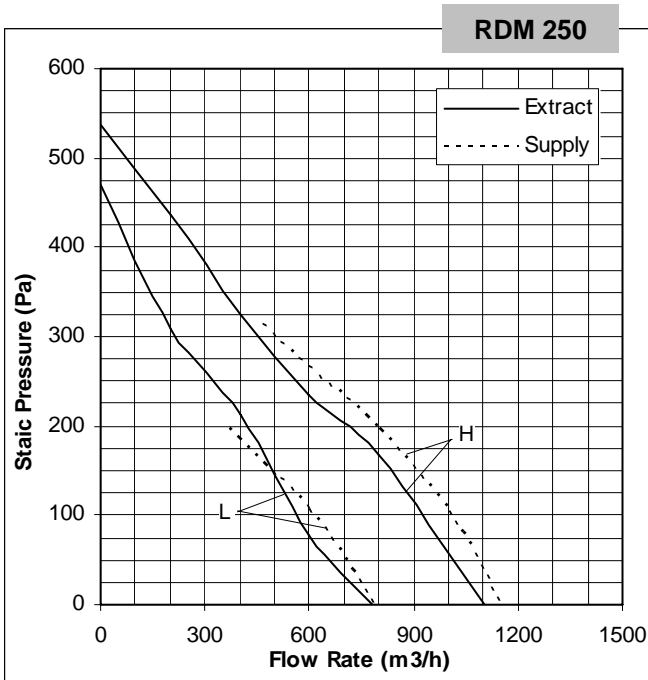
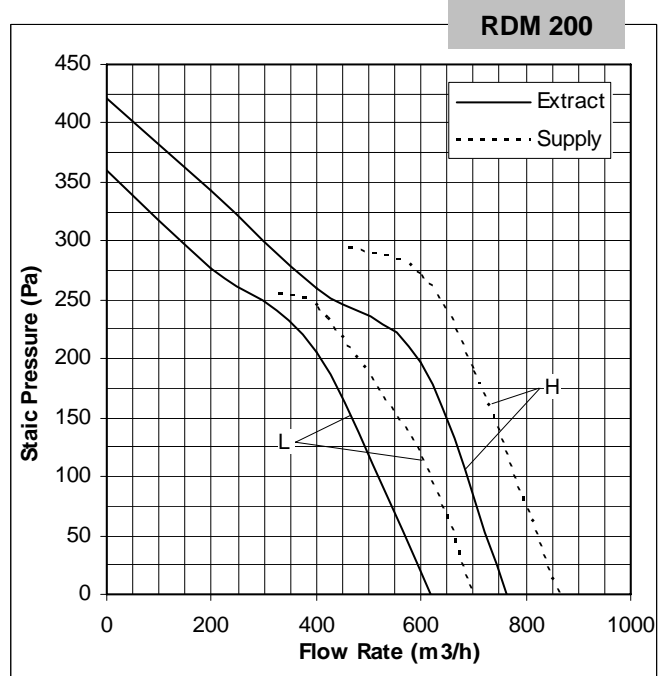
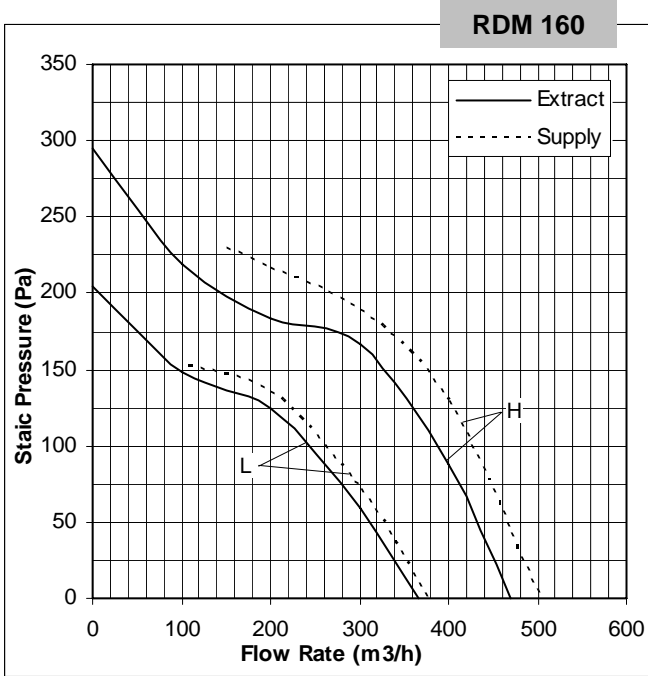
To obtain the sound power level at A or B, for extract operation, add to the sound pressure level (SPL Extract) given in the Technical Data chart, the correction value shown in following table.

Model		Sound power level for extract operation						
		Frequency bands Hz						
		125	250	500	1000	2000	4000	8000
RDM 160	A	-7.5	-3	9	6	11	4	-2
	B	-7.5	6	13.5	17.5	14.5	4.5	-3
RDM 200	A	-7.5	3.5	8	9.5	14	9	0
	B	-4	7.5	15	16	14.5	9	1.5
RDM 250	A	-13.5	0	1	12	9	4	0
	B	-11	5.5	11.5	17.5	15	7	-0.5
RDM 315	A	-21.5	-7	-3	7	5.5	-2	-8.5
	B	-16.5	2.5	7	20	7.5	1	-8

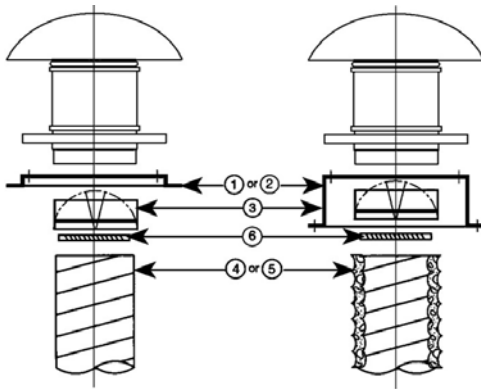
Technical Data

Model	Max Q m ³ /h	Power W	Motor Protection	Phase	Hz	Max. Amp	Voltage	Insulation Class	dB (A) at 3m	RPM	
RDM 160	Extract	470/355	68/40	IP44	1	50	0.26/0.19	230	B	49.5	2450/1800
	Supply	505/380	67/40	IP44	1	50	0.25/0.19	230	B	45	2450/1800
RDM 200	Extract	775/620	140/118	IP44	1	50	0.58/0.52	230	B	53	2500/2100
	Supply	860/695	140/118	IP44	1	50	0.58/0.52	230	B	52	2500/2000
RDM 250	Extract	1100/780	170/120	IP44	1	50	0.83/0.52	230	B	59.5	2400/1800
	Supply	1150/845	172/110	IP44	1	50	0.76/0.49	230	B	58.5	2400/1800
RDM 315	Extract	1725/1200	255/160	IP44	1	50	1.27/0.79	230	B	67	2480/1750
	Supply	1650/1245	300/190	IP44	1	50	1.27/0.79	230	B	63.5	2480/1800

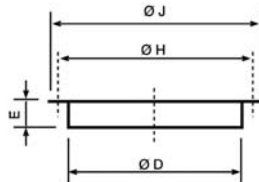
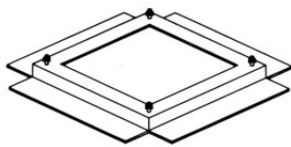
Performance Curve



Mounting Accessories



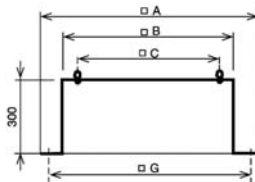
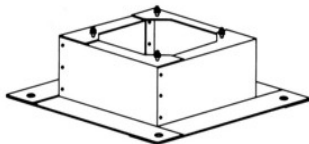
- ① Sealing frame
- ② Flat roof upstand
- ③ Back draft shutter
- ④ Flexible ducting
- ⑤ FI. Acoustic ducting
- ⑥ Worm drive clips



• Sealing Frame

- For mounting the roof fans on an upstand or base.
- Provide with screws and a gasket for a complete weather seal.

Type	A	B	C	E	F
JMS-300	470	290	245	50	70
JMS-435	600	420	330	50	70
JMS-560	725	545	450	50	70



• Flat Roof Upstands

- For mounting fans on flat roofs with no upstands.
- Internal insulation to avoid condensation.
- Provided with screws and a gasket for a complete seal.

Type	A	B	C	E	G
JBS-300	470	289	245	300	380
JBS-435	600	419	330	300	510
JBS-560	725	544	450	300	635

The company is always improving and developing its products, therefore the company reserves the right of making changes to the illustrated products. Certified dimension can be provided upon request.