



RVF Series

ROOF EXHAUST SMOKEPILL FAN

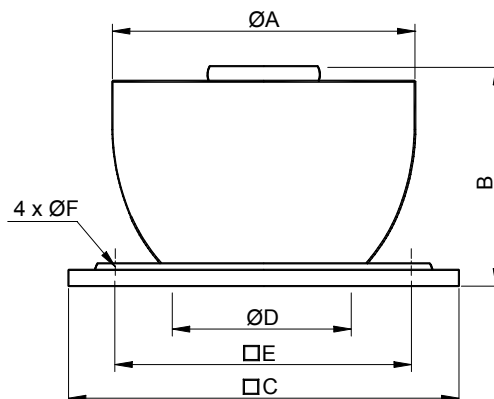


Roof Exhaust Smokespill Fan – RVF Series



Dimensions

- Vertical discharge roof exhaust smokespill fans are designed for smoke extract and suitable for applications such as general and industrial ventilation, industrial and commercial kitchens, etc.
- Backward curved impellers are made of galvanised sheet steel for sizes 140-400 or painted sheet steel for sizes 450-630.
- Base plates are manufactured from galvanised sheet steel with cowls manufactured from spun aluminium.
- Asynchronous induction motors with squirrel cage rotor in diecast aluminium, IP55 protection with class F insulation.
- Available for single phase and three phase electrical supplier.
- Maximum air stream temperature -40 °C to +120 °C.
- Static and dynamically balanced to ISO 1940 standard.
- Range certified for 400 °C/2 hrs by an independent laboratory.

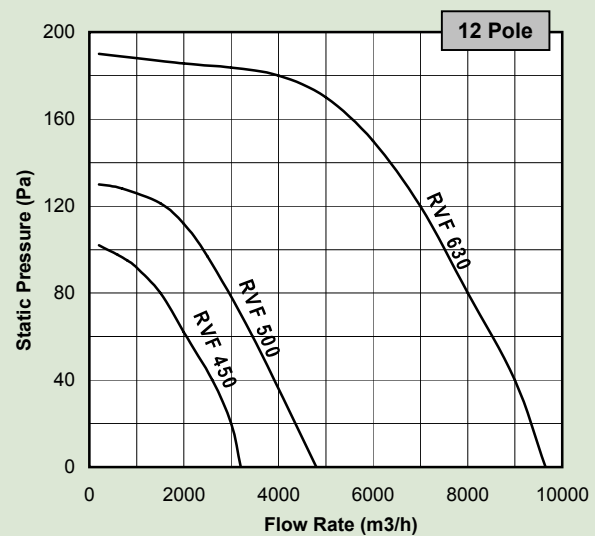
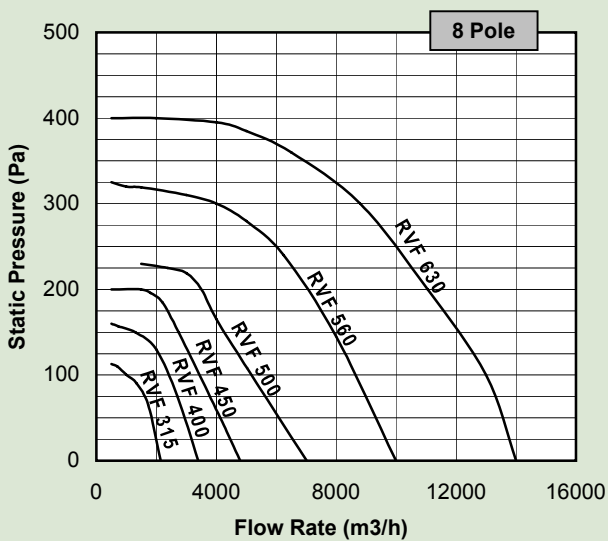
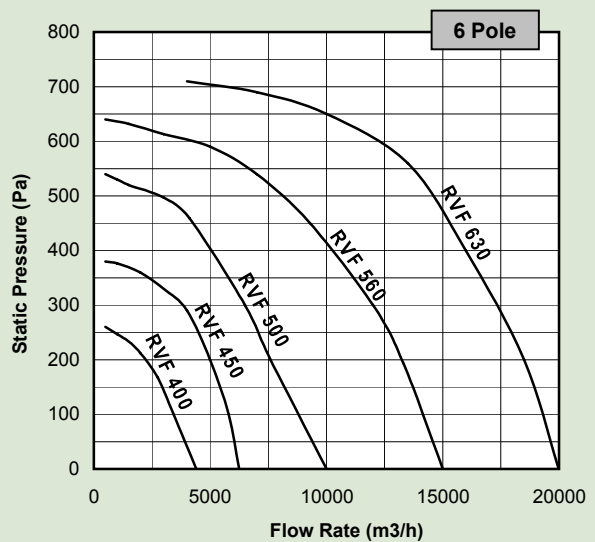
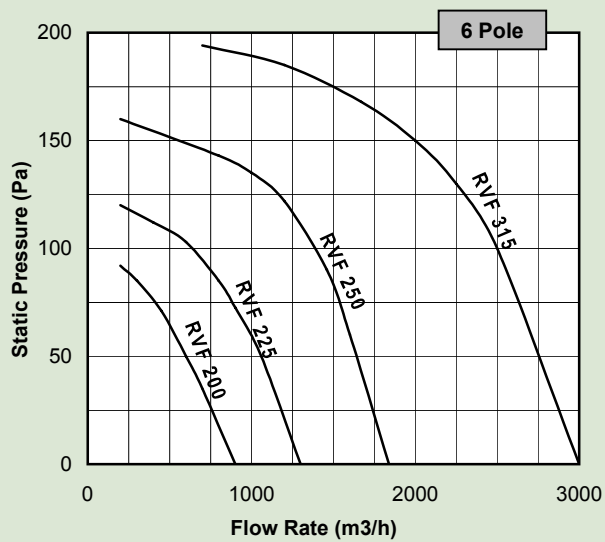
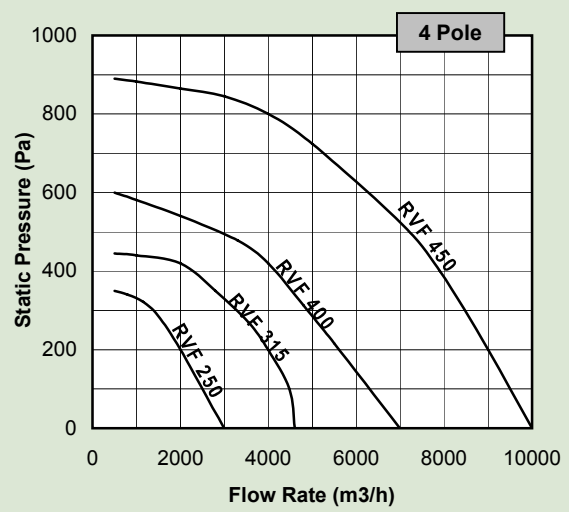
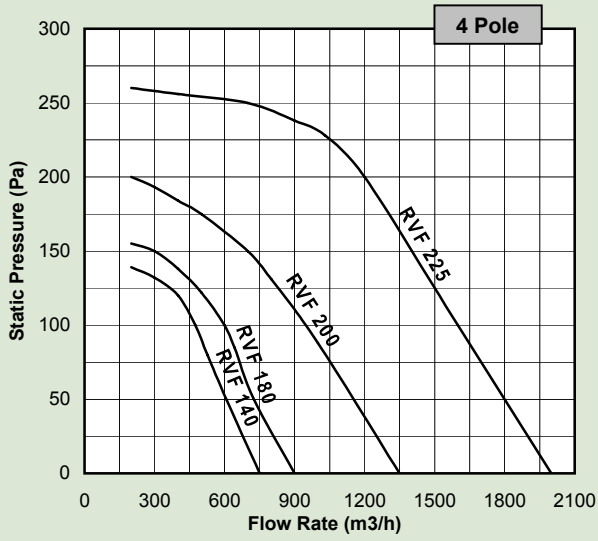


Model	A	B	C	ØD	E	F
RVF 140	421	359	300	180	245	10
RVF 180	421	374	300	180	245	10
RVF 200	556	404	435	250	330	12
RVF 225	556	452	435	250	330	12
RVF 250	750	522	560	355	450	12
RVF 315	750	564	560	355	450	12
RVF 400	850	608	630	400	535	12
RVF 450	950	741	710	500	590	14
RVF 500	1216	832	905	630	750	14
RVF 560	1216	832	905	630	750	14
RVF 630	1327	1053	1100	710	840	14

All dimensions in mm.

Technical Data - Single Phase									
Model	Max. air mov. m ³ /h	Phase	N° Poles	Power kW	Hz	Max. current in Amp 230V	Sound power level dB (A)	RPM	Weight (Kg)
RVF 140 4P-1	750	1	4	0.06	50	0.30	65.5	1375	10
RVF 180 4P-1	900	1	4	0.06	50	0.30	65.5	1330	11
RVF 200 4P-1	1350	1	4	0.10	50	0.60	69.0	1330	17
RVF 225 4P-1	2000	1	4	0.13	50	0.71	72.5	1350	20
RVF 250 4P-1	2950	1	4	0.25	50	1.20	76.0	1325	35
RVF 315 4P-1	4700	1	4	0.57	50	2.70	79.5	1390	39
RVF 400 4P-1	6800	1	4	1.10	50	5.30	86.5	1390	50
RVF 200 6P-1	900	1	6	0.08	50	0.40	58.5	940	17
RVF 225 6P-1	1300	1	6	0.09	50	0.40	62.0	890	20
RVF 250 6P-1	1850	1	6	0.10	50	0.57	66.0	940	35
RVF 315 6P-1	3000	1	6	0.16	50	0.80	69.5	870	39
RVF 400 6P-1	4300	1	6	0.34	50	1.60	76.5	960	50

* The sound power levels dB(A) are measured at fan discharge side at max. air volume.

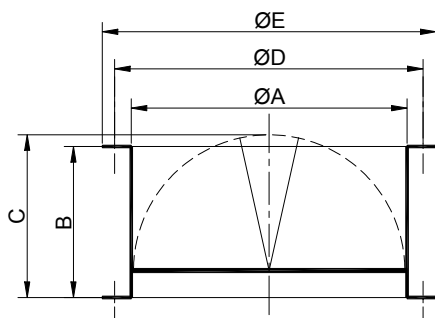


Technical Data - Three Phase									
Model	Max. air mov. m3/h	Phase	N° Poles	Power kW	Hz	Max. current in Amp 400V	Sound power level dB (A)	RPM	Weight (Kg)
RVF 140 4P-3	750	3	4	0.06	50	0.18	65.5	1400	10
RVF 180 4P-3	900	3	4	0.06	50	0.18	65.5	1350	11
RVF 200 4P-3	1350	3	4	0.13	50	0.44	69.0	1340	17
RVF 225 4P-3	2000	3	4	0.18	50	0.47	72.5	1360	20
RVF 250 4P-3	2950	3	4	0.30	50	0.80	76.0	1400	35
RVF 315 4P-3	4700	3	4	0.40	50	1.40	79.5	1410	39
RVF 400 4P-3	6800	3	4	1.00	50	1.80	86.5	1330	50
RVF 450 4P-3	10000	3	4	2.10	50	4.30	90.0	1440	75
RVF 200 6P-3	900	3	6	0.08	50	0.24	58.5	950	17
RVF 225 6P-3	1300	3	6	0.09	50	0.23	62.0	900	20
RVF 250 6P-3	1850	3	6	0.10	50	0.41	66.0	950	35
RVF 315 6P-3	3000	3	6	0.16	50	0.44	69.5	910	39
RVF 400 6P-3	4300	3	6	0.35	50	1.00	76.5	930	50
RVF 450 6P-3	6300	3	6	0.80	50	3.50	79.5	950	75
RVF 500 6P-3	10000	3	6	1.50	50	4.30	83.5	975	115
RVF 560 6P-3	15000	3	6	2.40	50	5.50	87.0	950	129
RVF 630 6P-3	19500	3	6	3.90	50	8.30	90.5	950	168
RVF 450 8P-3	4800	3	8	0.70	50	2.25	72.0	690	75
RVF 500 8P-3	7100	3	8	0.77	50	2.50	75.0	700	115
RVF 560 8P-3	10000	3	8	1.10	50	3.60	78.5	730	129
RVF 630 8P-3	13500	3	8	1.65	50	4.90	82.5	735	168
RVF 315 4P/8P	4700	3	4/8	0.37 / 0.23	50	1.1 / 0.9	79.5	1400 / 700	40
RVF 400 4P/8P	6800	3	4/8	0.56 / 0.26	50	1.3 / 1.0	86.5	1400 / 700	52
RVF 450 4P/8P	10000	3	4/8	2.4 / 0.6	50	6.1 / 2.5	90	1400 / 700	77
RVF 450 6P/12P	6300	3	6/12	0.5 / 0.19	50	2 / 1	79.5	960 / 490	80
RVF 500 6P/12P	10000	3	6/12	1.52 / 0.43	50	4.5 / 2.2	83.5	980 / 490	134
RVF 630 6P/12P	19500	3	6/12	4.1 / 0.73	50	8.1 / 2.6	90.5	960 / 480	173

* The sound power levels dB(A) are measured at fan discharge side at max. air volume.

Mounting Accessories

Back-Draft Shutter



Model	ØA	B	C	ØD	ØE
180	182	100	124	205	219
200	252	145	174	280	300
355	358	210	227	395	415
400	403	240	250	450	474
500	503	285	300	560	581
630	633	345	365	690	714
710	713	390	410	770	806
1000	1004	560	560	1070	1110

The company is always improving and developing its products, therefore the company reserves the right of making changes to the illustrated products. Certified dimension can be provided upon request.